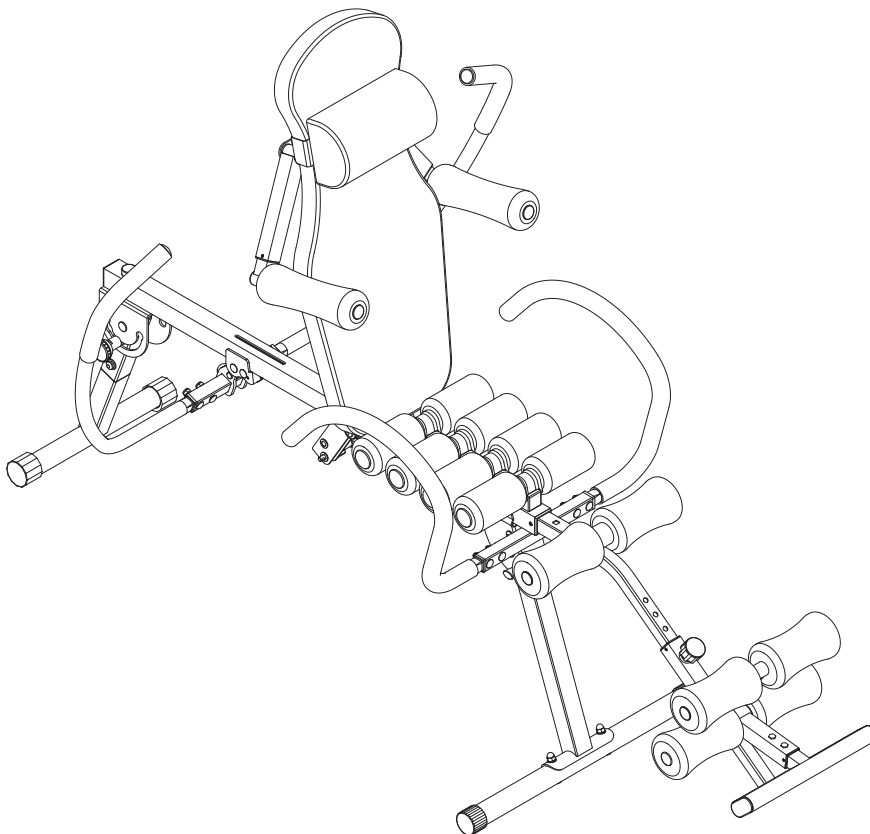


STAMINA[®]

Active Aging EasyDecompress ^{PRO}

Owner's Manual



Product May Vary Slightly From Pictured.

CAUTION:
Weight on this product should not exceed 300 lbs.

This Product is Distributed Exclusively by



STAMINA[®]

2040 N Alliance Ave, Springfield, MO 65803
Customer Care
1 (800) 375-7520
www.staminaproducts.com

⚠ WARNING

Exercise can present a health risk. Consult a physician before beginning any exercise program with this equipment. If you feel faint or dizzy, immediately discontinue use of this equipment. Serious bodily injury can occur if this equipment is not assembled and used correctly. Serious bodily injury can also occur if all instructions are not followed. Keep others and pets away from equipment when in use. Always make sure all bolts and nuts are securely tightened prior to each use. Follow all safety instructions in this manual.

When calling for parts or service, please specify the following numbers:

Model#: 55-1489

S/N: _____


**STAMINA PRODUCTS
MADE IN CHINA**

©2020 Stamina Products, Inc.
2020, 01



ACCESS YOUR ONLINE INSTRUCTIONAL VIDEO!

How to Access Your Video

1. Go to video.staminaproducts.com
2. Click 
3. Enter COUPON CODE below:

Coupon Code*

EasyDecompressPro

REDEEM

Digital product only. No physical DVD will be shipped.

TABLE OF CONTENTS

Safety Instructions	3	Operational Instructions	13
Before You Begin	5	Product Parts Drawing	16
Equipment Warning, Caution & Notice Labels ...	6	Parts List	17
Hardware Identification Chart	7	Warranty	19
Assembly Instructions	8	Notes	20
Storage	13	Fax/Mail Ordering Form	22
Maintenance	13		

SAFETY INSTRUCTIONS

⚠ WARNING Cancer and Reproductive Harm www.P65Warnings.ca.gov

⚠ WARNING Consult your physician before starting this or any exercise program. This is especially important if you are over the age of 35, have never exercised before, are pregnant, or suffer from any health problem. This product is for home use only. Do not use in institutional or commercial applications. Failure to follow all warnings and instructions could result in serious injury or death.

⚠ WARNING To reduce the risk of serious injury, read the following Safety Instructions before using the **Stamina® Active Aging EasyDecompress Pro**.

1. Save these instructions and ensure that other exercisers read this manual prior to using the **Stamina® Active Aging EasyDecompress Pro** for the first time.
2. Read all warnings and cautions posted on the **Stamina® Active Aging EasyDecompress Pro**.
3. The **Stamina® Active Aging EasyDecompress Pro** should only be used after a thorough review of the Owner's Manual. Make sure that it is properly assembled and tightened before use.
4. We recommend that two people be available for assembly of this product.
5. Keep children away from the **Stamina® Active Aging EasyDecompress Pro**. Do not allow children to use or play on the **Stamina® Active Aging EasyDecompress Pro**. Keep children and pets away from the **Stamina® Active Aging EasyDecompress Pro** when it is in use.
6. It is recommended that you place this product on an equipment mat.
7. Set up and operate the **Stamina® Active Aging EasyDecompress Pro** on a solid level surface. Do not position the **Stamina® Active Aging EasyDecompress Pro** on loose rugs or uneven surfaces.
8. Make sure that adequate space is available for access to and around the **Stamina® Active Aging EasyDecompress Pro**.
9. Before using, inspect the **Stamina® Active Aging EasyDecompress Pro** for worn or loose components, and securely tighten or replace any worn or loose components prior to use.
10. Consult your physician before using this product. If you feel faint, dizzy, or experience pain during use, stop immediately and consult with your physician.
11. Choose the intensity that fits your strength and flexibility level. Know your body's limits and use this product within them. Use common sense when using this product.
12. Do not wear loose or dangling clothing while using the **Stamina® Active Aging EasyDecompress Pro**. Keep long hair pulled up and away from cords and pulleys at all times.
13. Never exercise in bare feet or socks; always wear proper footwear such as running, walking, or cross training shoes that fit well, provide foot support, and feature non-skid rubber soles.
14. Be careful to maintain your balance while using, mounting, dismounting, or assembling the **Stamina® Active Aging EasyDecompress Pro**, loss of balance may result in a fall and bodily injury.
15. The **Stamina® Active Aging EasyDecompress Pro** should not be used by persons weighing over 300 pounds.
16. The **Stamina® Active Aging EasyDecompress Pro** should be used by only one person at a time.
17. The **Stamina® Active Aging EasyDecompress Pro** is for consumer use only. It is not for use in public or semipublic facilities.

EXTEND YOUR PARTS WARRANTY TO 180 DAYS FROM THE DATE OF PURCHASE. REGISTER YOUR PRODUCT.



**NEED HELP?
CONTACT US FIRST
1 (800) 375-7520**
customer.care@staminaproducts.com

Hi! From all of us here at Stamina Products, thank you for your purchase. We know that you have big fitness goals in mind and we are here to help you along. Call us, email us, or send us a message on Facebook. Be sure to contact us if you have any questions on your new product. We look forward to hearing from you!

With your body in mind,
Stamina Customer Care

To enact your extended warranty and to help us better serve you, please **go online** and register your new product.

register.staminaproducts.com

It is quick and easy to register online, but if you're a little old school or just need a reason to raise that little flag on your mailbox, fill out the info on the last page of this manual and mail it in.



ONLINE

customer.care@staminaproducts.com
www.staminaproducts.com



TELEPHONE

1 (800) 375-7520



FAX

(417) 889-8064



MAIL

Stamina Products, Inc.
ATTN: Customer Care
2040 N Alliance Ave
Springfield, MO 65803

 facebook.com/StaminaProducts
facebook.com/AeroPilates

CUSTOMER CARE HOURS:
Monday-Thursday, 7:30 AM-5:00 PM, Central Time
Friday, 8:00 AM-3:00 PM, Central Time

BEFORE YOU BEGIN

Thank you for choosing the **Stamina® Active Aging EasyDecompress Pro**. We take great pride in this quality product and hope it will provide many hours of quality exercise to make you feel better, look better, and enjoy life to its fullest.

It's a proven fact that a regular exercise program can improve your physical and mental health. Too often, our busy lifestyles limit our time and opportunity to exercise. The **Stamina® Active Aging EasyDecompress Pro** provides a convenient and simple method to begin your journey of getting your body in shape and achieving a happier and healthier lifestyle.

Before reading further, please review the drawing below and familiarize yourself with the parts that are labeled. Locate the serial decal on the product and write the serial number on the cover of the manual in the space provided. See page 6 for an image of the serial decal. Model number and serial number are required when

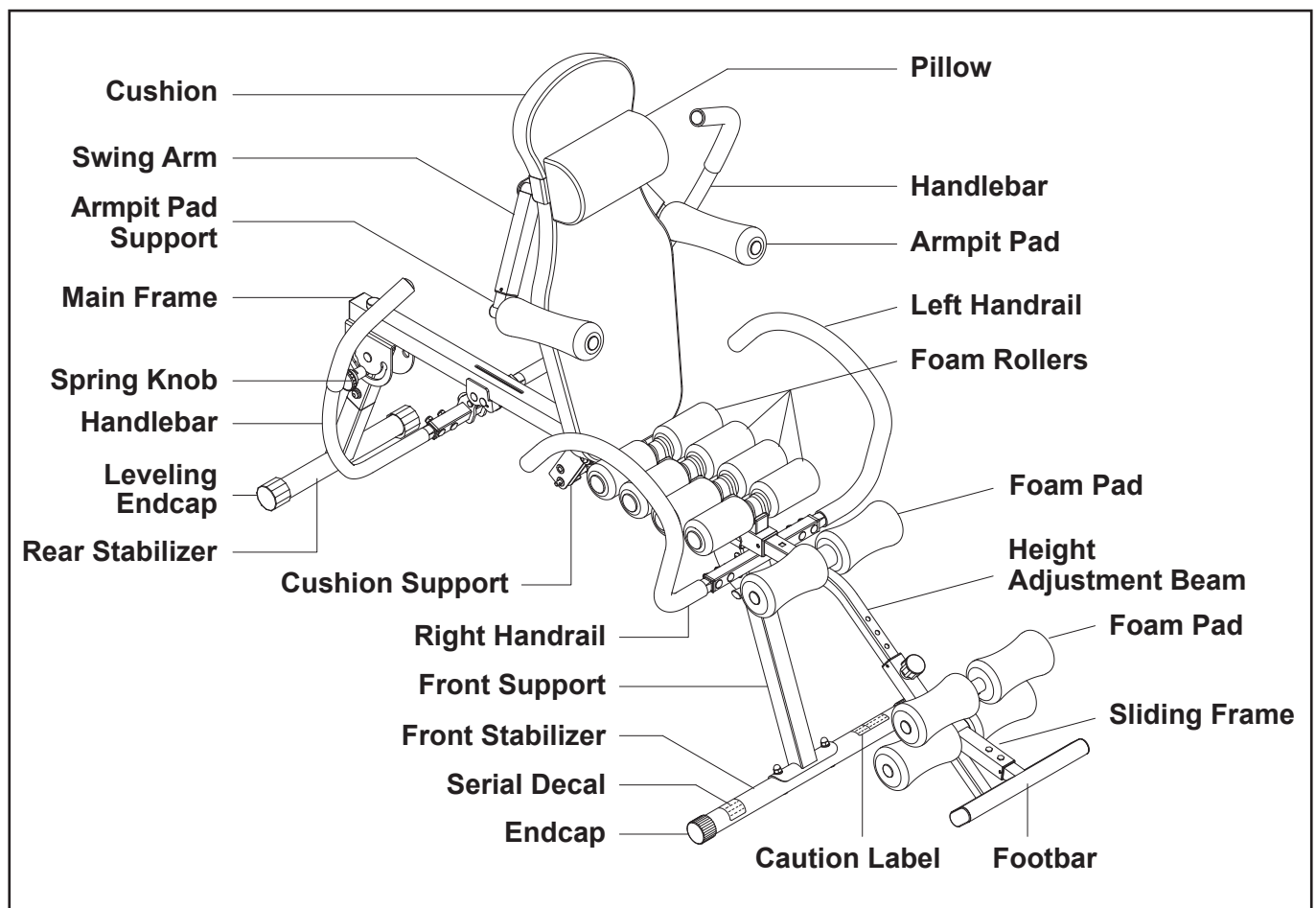
calling for assistance.

Read this manual carefully before using the **Stamina® Active Aging EasyDecompress Pro**.

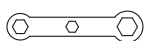
Providing you with a quality product is Stamina's top priority. However, sometimes there could be a missing or incorrectly sized part. If you have any questions or problems with the parts included with your **Stamina® Active Aging EasyDecompress Pro**, please do not return the product. Contact us **FIRST!**

If a part is missing or defective, please contact Customer Care for assistance. Call us toll free at 1-800-375-7520 (in the U.S.) or live chat on staminaproducts.com. Our Customer Care Staff is available to assist you from 7:30 A.M. to 5:00 P.M. (Central Time) Monday through Thursday and 8:00 A.M. to 3:00 P.M. (Central Time) on Friday.

Be sure to have the name and model number of the product available when you contact us.



THE FOLLOWING TOOLS ARE INCLUDED FOR ASSEMBLY:



Wrench



Single Ended Wrench



Allen Wrench (4mm)



Allen Wrench (6mm)

EQUIPMENT WARNING, CAUTION & NOTICE LABELS

This chart is provided to help identify the warning, caution, and notice labels on the **Stamina® Active Aging EasyDecompress Pro**. Please take a moment to familiarize yourself with all of the warning, caution, and notice labels.

CAUTION LABEL(84)

<p>⚠ CAUTION</p> <p>For consumer use only. Failure to follow all warnings and instructions could result in injury or property damage. Before assembling or using this product, read and follow the Owner's Manual and all other warnings and instructions that accompany this product. Replace this caution label if damaged, illegible, or removed.</p>	<p>Keep others including children & pets away from equipment when in use.</p> <p>Consult your physician before starting this or any exercise program. This is especially important if you are over the age of 35 or have any pre-existing health condition. Always make sure all nuts and bolts are securely tightened before using this product. This product should not be used by person weighing more than 250 lbs. unless otherwise stated in your Owner's Manual.</p>
--	--

SERIAL DECAL(85)

GUARANTEED PERFORMANCE

 **STAMINA**

Customer Care

1 (800) 375-7520

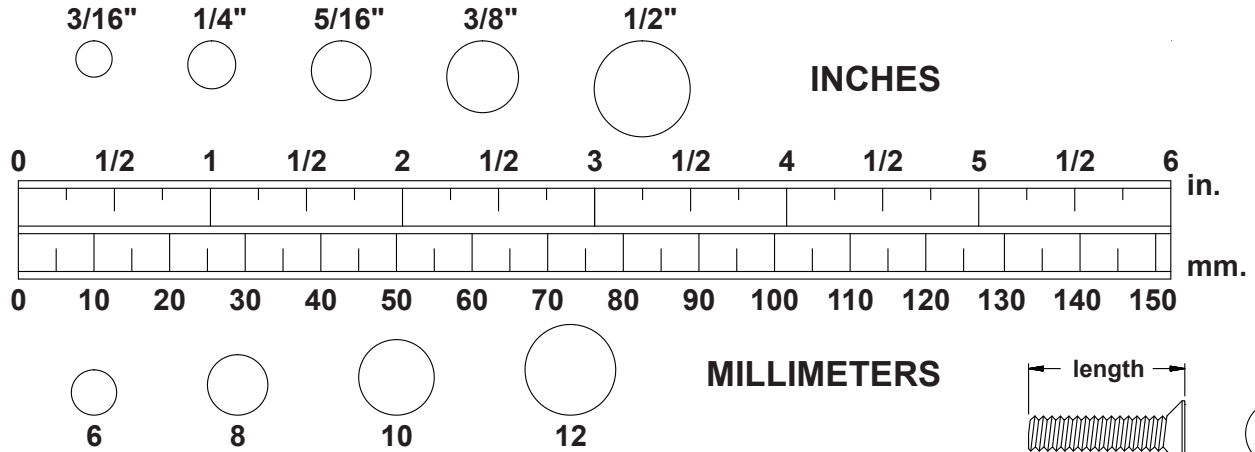
Mon-Thurs • 7:30am - 5pm, Fri • 8am - 3pm CST
FAX: (417) 889-8064 • www.staminaproducts.com
MADE IN CHINA

Model #	Serial #
55-1489	

To best serve you, our Customer Care Representatives will need your serial number. For quick access, write in your serial number on the cover of the manual.

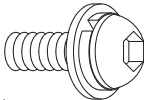
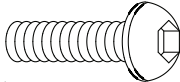
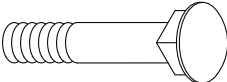
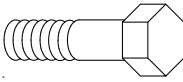
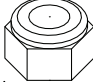
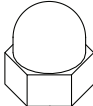


HARDWARE IDENTIFICATION CHART

This chart is provided to help identify the hardware used in the assembly process. Place the washers or the ends of the bolts or screws on the circles to check for the correct diameter. Use the small scale to check the length of the bolts and screws.



NOTICE: The length of all bolts and screws, except those with flat heads, is measured from below the head to the end of the bolt or screw. Flat head bolts and screws are measured from the top of the head to the end of the bolt or screw.

After unpacking the unit, open the hardware bag and make sure that you have all the following items. Some hardware may be already attached to the part.

	Part Number and Description	Qty
	13 Bolt, Button Head w/ Washers (M8x1.25x16mm)	4
	41 Bolt, Button Head (M6 x 1 x 35mm)	4
	30 Carriage Bolt (M8 x 1.25 x 37mm) 44 Carriage Bolt (M8 x 1.25 x 41mm)	8 2
	62 Bolt, Hex Head (M6 x 1 x 35mm)	2
	15 Nylock Nut (M8 x 1.25) 63 Nylock Nut (M6 x 1)	10 2
	55 Acorn Nut (M8 x 1.25)	2
	56 Arc Washer (M8)	2
	81 Washer (M6)	2

ASSEMBLY INSTRUCTIONS

Place all parts from the box in a cleared area and position them on the floor in front of you. Remove all packing materials from your area and place them back into the box. Do not dispose of the packing materials until assembly is completed. Read each step carefully before beginning. If you are missing a part, please go to staminaproducts.com under the Customer Care section and order the part needed, e-mail us at customer.care@staminaproducts.com, or call us toll free at 1-800-375-7520 (in the U.S.). Our Customer Care Staff is available to assist you from 7:30 A.M. to 5:00 P.M. (Central Time) Monday through Thursday and 8:00 A.M. to 3:00 P.M. (Central Time) on Friday.

Some product parts are fit tested at the factory to ensure proper fit and alignment. Marks in the paint may be noticeable, but are not an indication of damage.

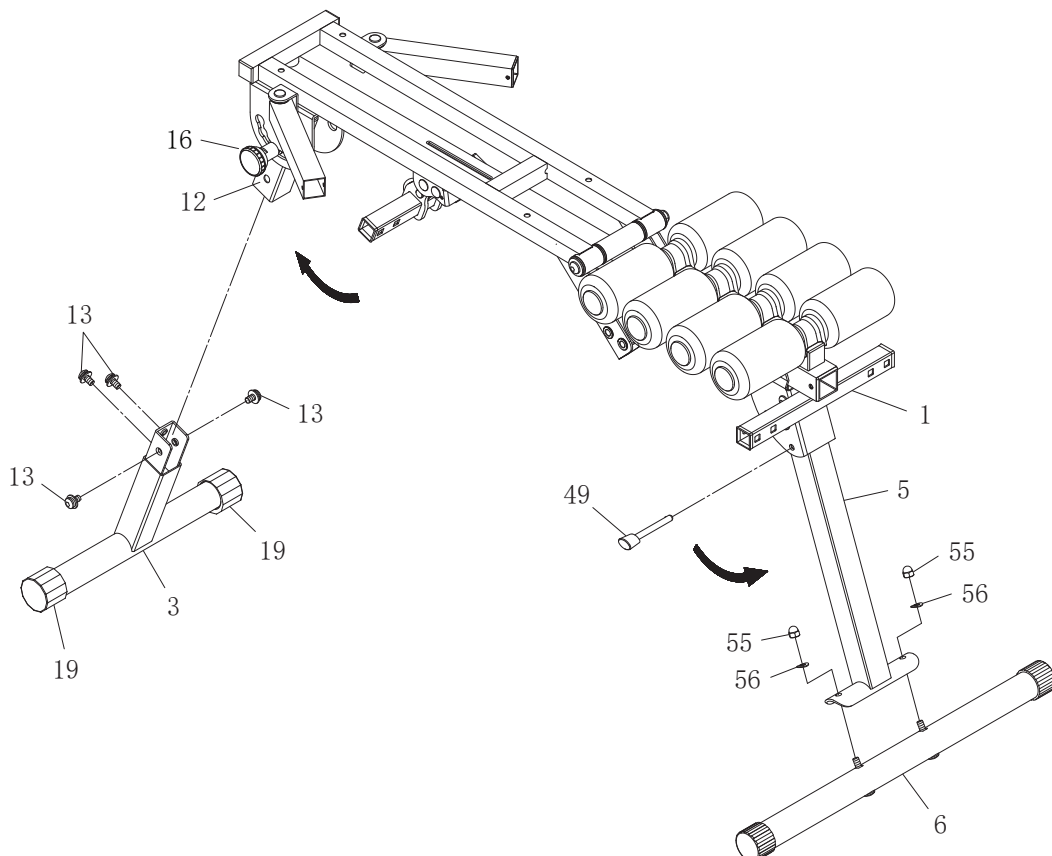
STEP 1

Pull out the **PULL PIN(49)** from the **MAIN FRAME(1)**. Unfold the **FRONT SUPPORT(5)** and lock in position with the **PULL PIN(49)**. Attach the **FRONT STABILIZER(6)** to the **FRONT SUPPORT(5)** with **ACORN NUTS (M8x1.25)(55)** and **ARC WASHERS(M8)(56)**.

STEP 2

Pull the **SPRING KNOB(16)**, then unfold the **REAR SUPPORT(12)** and lock in one of the incline positions with the **SPRING KNOB(16)**. Insert the **REAR STABILIZER(3)** into the **REAR SUPPORT(12)** and secure with **BUTTON HEAD BOLTS w/ WASHERS(M8x1.25x16mm)(13)**. Turn the **LEVELING ENDCAPS(19)** on the **REAR STABILIZER(3)** as needed until the unit is steady and not rocking.

NOTE: There are three adjustment holes in the bracket on the **MAIN FRAME(1)** which allow the **REAR SUPPORT(12)** to be attached in three different incline positions.



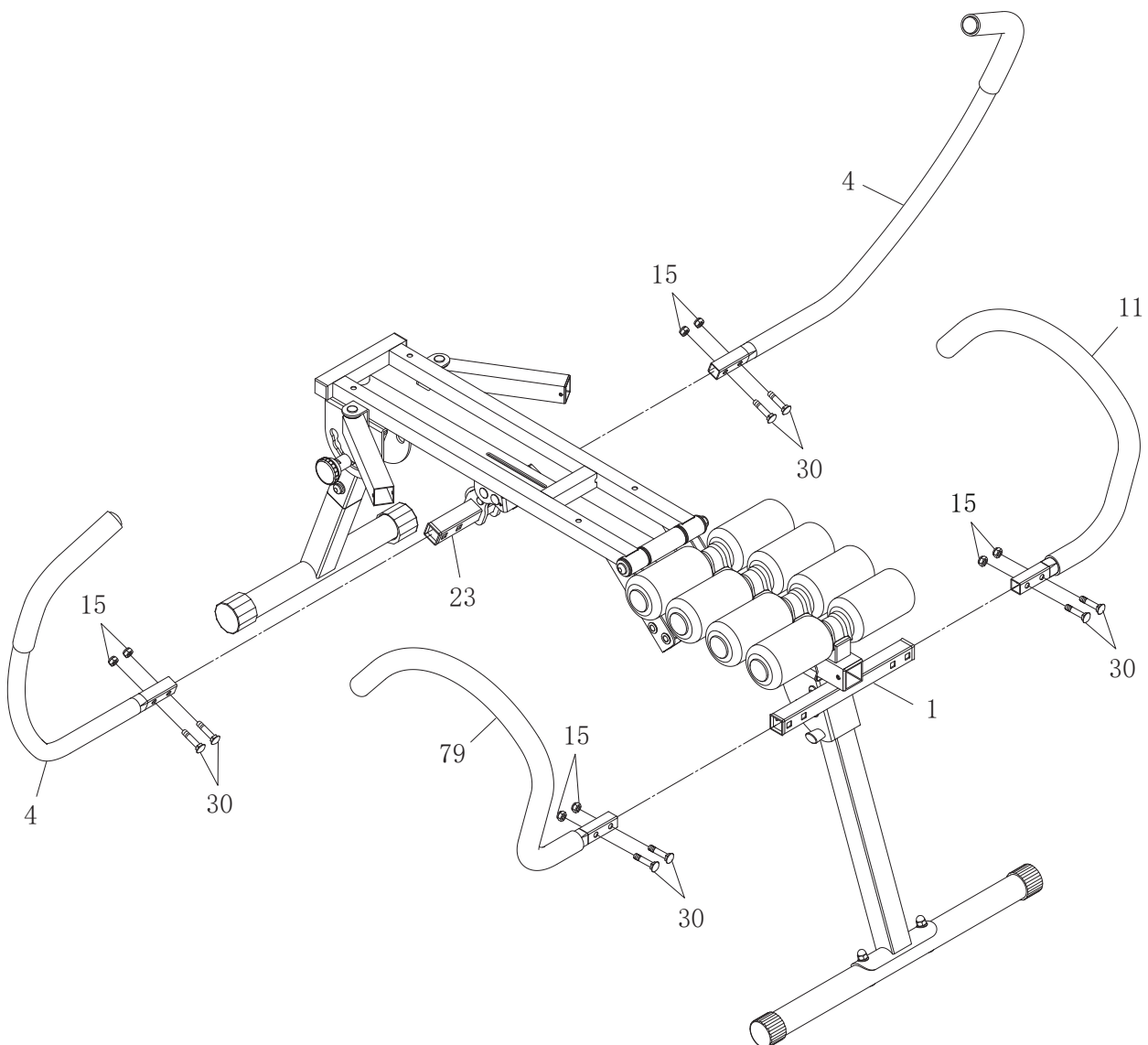
ASSEMBLY INSTRUCTIONS

STEP 3

Insert the **HANDLEBARS(4)** into the **HANDLEBAR CONNECTOR(23)** and secure with **CARRIAGE BOLTS (M8x1.25x37mm)(30)** and **NYLOCK NUTS(M8x1.25)(15)**.

STEP 4

Insert the **RIGHT HANDRAIL(79)** into the **MAIN FRAME(1)** and secure with **CARRIAGE BOLTS (M8x1.25x37mm)(30)** and **NYLOCK NUTS(M8x1.25)(15)**. Repeat on other side.



ASSEMBLY INSTRUCTIONS

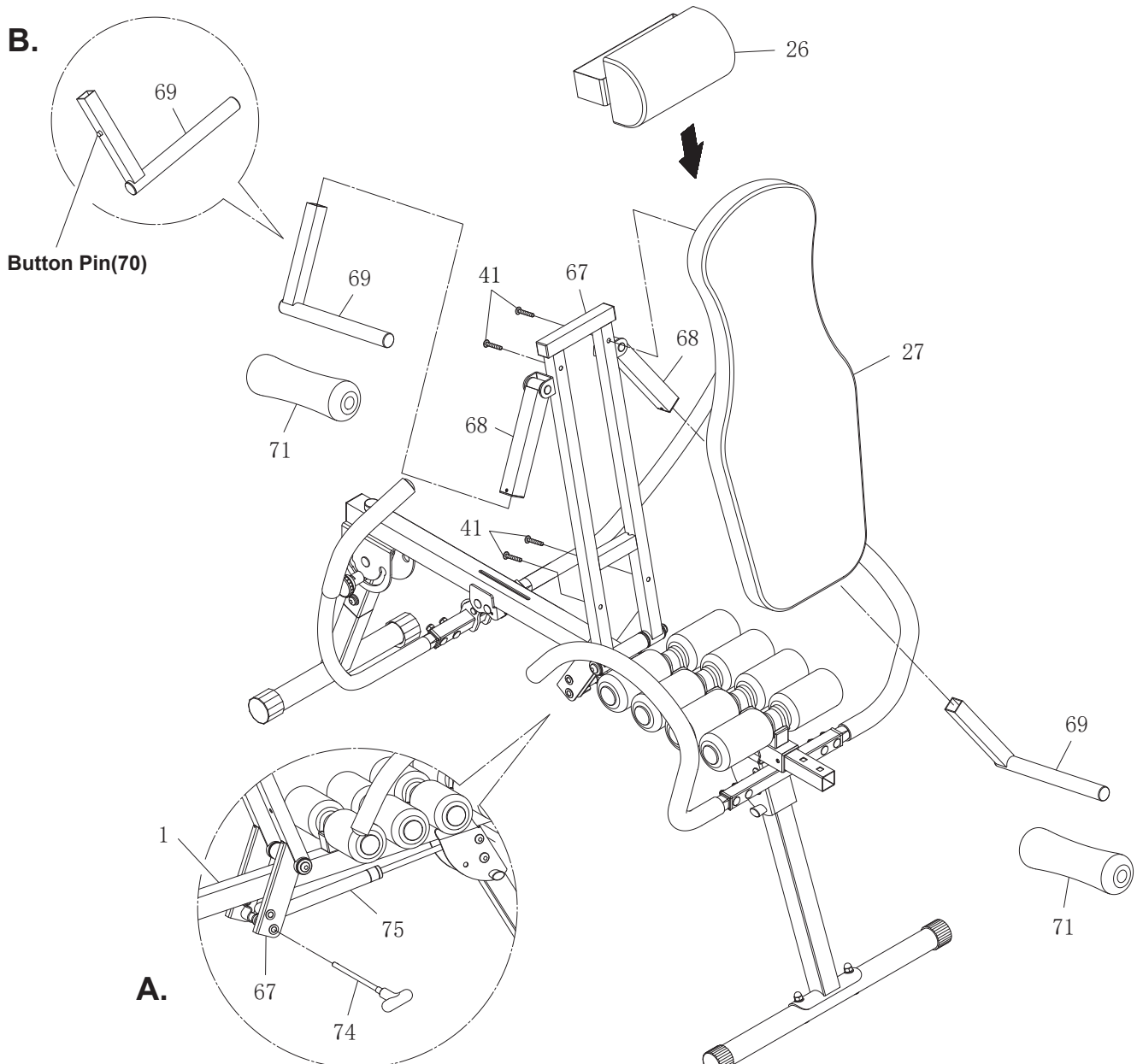
STEP 5: Refer to detail view A and the illustration below. Swing up the **CUSHION SUPPORT(67)**, then place the end of the **AIR SHOCK(75)** into the bracket on the **CUSHION SUPPORT(67)** and lock in position with the **T PULL PIN(74)**.

NOTE: There are two adjustment holes in the **CUSHION SUPPORT(67)** which allow the **AIR SHOCK(75)** to be attached in two different positions to offer different support force for the **CUSHION(27)**. Select the position which is most comfortable for you.

STEP 6: Push the **BUTTON PIN(70)** in and insert the **ARMPIT PAD SUPPORT(69)** into the **SWING ARM(68)**. Slide an **ARMPIT PAD(71)** on the **ARMPIT PAD SUPPORT(69)**. Repeat on other side.

NOTE: There are three adjustment holes in the **SWING ARM(68)** which allow the **ARMPIT PAD SUPPORTS(69)** to be attached in three different positions. Start with the center position and adjust if necessary.

STEP 7: Attach the **CUSHION(27)** to the **CUSHION SUPPORT(67)** with **BUTTON HEAD BOLTS(M6x1x35mm)(41)**. Slide the **PILLOW(26)** onto the **CUSHION(27)** and make the elastic band go across the **CUSHION SUPPORT(67)**.



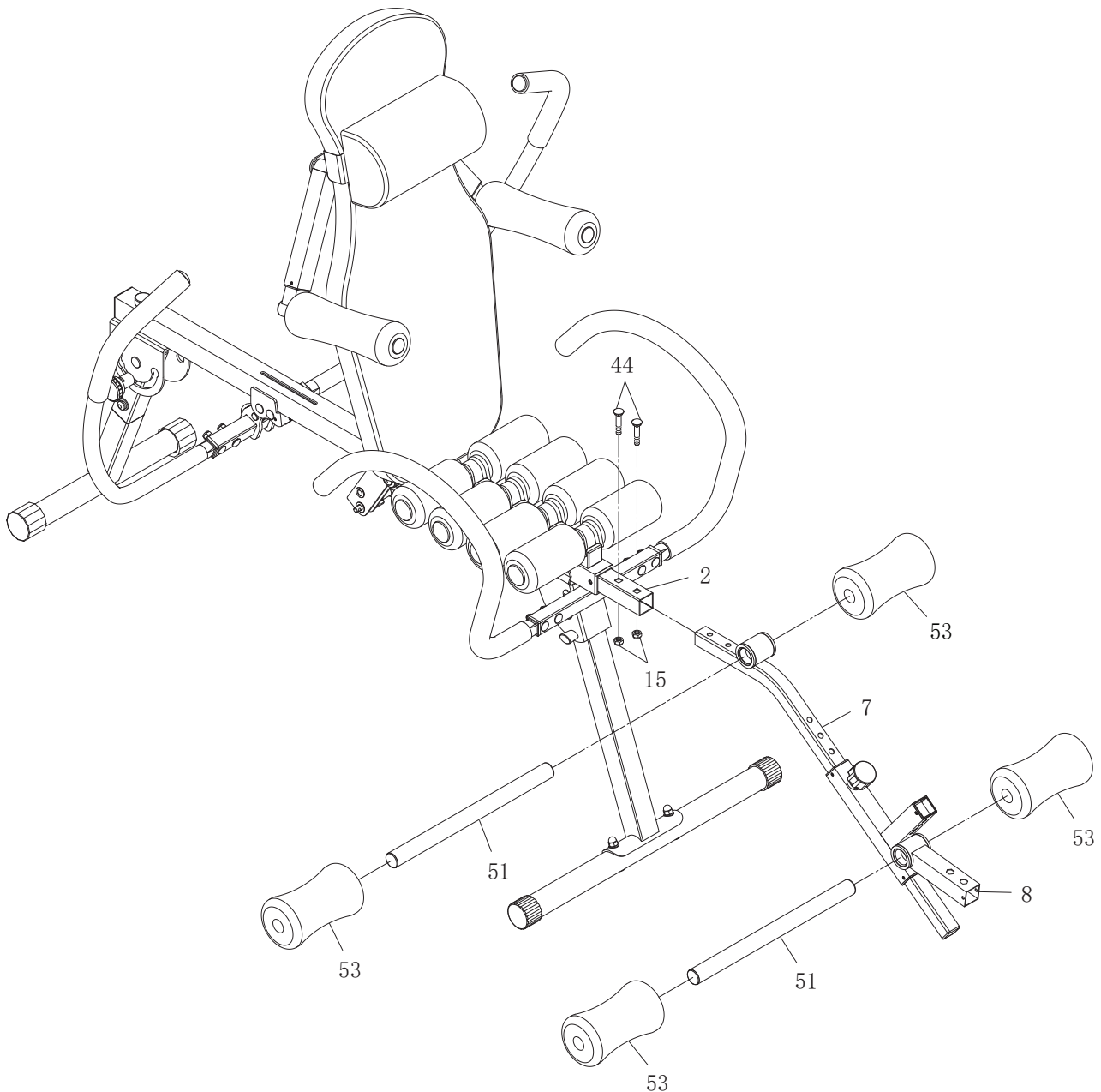
ASSEMBLY INSTRUCTIONS

STEP 8

Insert the **HEIGHT ADJUSTMENT BEAM(7)** into the **EXTENDING TUBE(2)** and secure with **CARRIAGE BOLTS(M8x1.25x41mm)(44)** and **NYLOCK NUTS(M8x1.25)(15)**.

STEP 9

Refer to the illustration below. Insert the **PAD TUBES(51)** through the holes in the **HEIGHT ADJUSTMENT BEAM(7)** and **SLIDING FRAME(8)**. Slide the **FOAM PADS(53)** on both ends of the **PAD TUBES(5)**.



ASSEMBLY INSTRUCTIONS

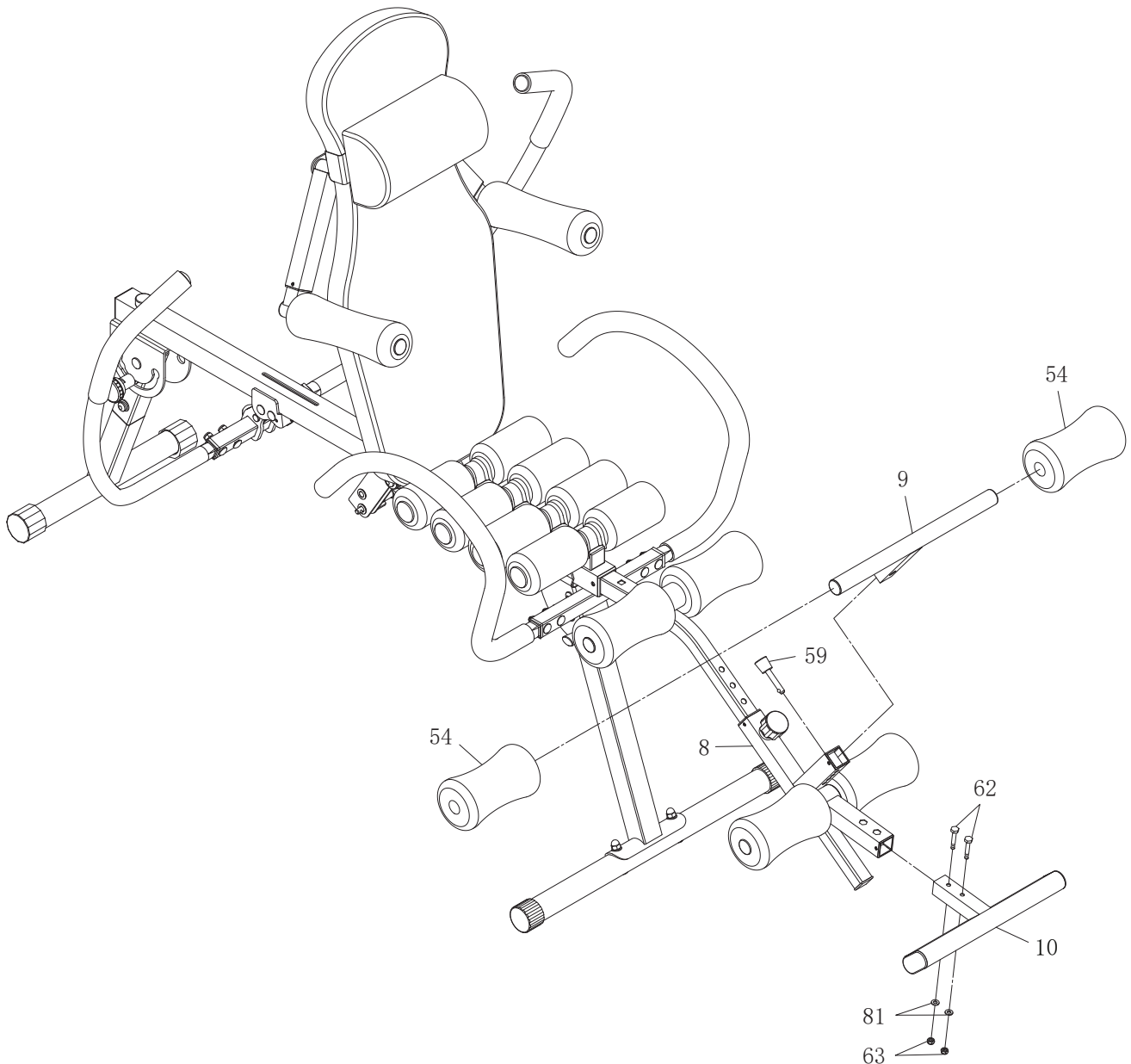
STEP 10

Insert the **FOOTBAR(10)** into the **SLIDING FRAME(8)** and secure with **HEX BOLTS(M6x1x35mm)(62)**, **WASHERS(M6)(81)**, and **NYLOCK NUTS(M6x1)(63)**. The **HEX BOLTS(M6x1x35mm)(62)** must fit inside the hex-shaped holes in the **SLIDING FRAME(8)** to properly secure the **FOOTBAR(10)**.

STEP 11

Insert the **ADJUSTABLE INSTEP FRAME(9)** into the **SLIDING FRAME(8)** and lock in one of the adjustment holes with the **SHORT PULL PIN(59)**. Slide the **FOAM PADS(53)** on both ends of the **ADJUSTABLE INSTEP FRAME(9)**.

NOTE: There are four adjustment holes in the **SLIDING FRAME(8)** which allow the **ADJUSTABLE INSTEP FRAME(9)** to be attached in four different positions. Find the position which is most comfortable for holding your ankles while performing the back stretching exercise.



STORAGE

1. To store the **Stamina® Active Aging EasyDecompress Pro**, simply keep it in a clean dry place.
2. To move the **Stamina® Active Aging EasyDecompress Pro**, lift by the back end of the **MAIN FRAME(1)** on one end and the **FOOTBAR(10)** at the other end.

MAINTENANCE

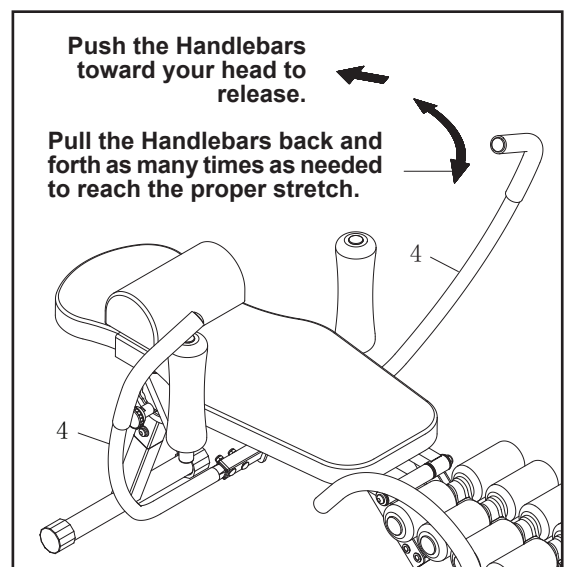
The safety and integrity designed into the **Stamina® Active Aging EasyDecompress Pro** can only be maintained when the **Stamina® Active Aging EasyDecompress Pro** is regularly examined for damage and wear. Special attention should be given to the following:

1. Verify that all nuts and bolts are present and properly tightened. Replace missing nuts and bolts. Tighten loose nuts and bolts.
2. Verify that the **CAUTION LABEL(84)** is in place and easy to read. Call Stamina Products immediately at **1-800-375-7520** for a replacement **CAUTION LABEL(84)** if it is missing or damaged.
3. It is the sole responsibility of the user/owner to ensure that regular maintenance is performed.
4. Worn or damaged components must be replaced immediately or the **Stamina® Active Aging EasyDecompress Pro** removed from service until repair is made.
5. Only Stamina Products supplied components should be used to maintain/repair the **Stamina® Active Aging EasyDecompress Pro**.
6. Keep your **Stamina® Active Aging EasyDecompress Pro** clean by wiping it off with an absorbent cloth after use.

OPERATIONAL INSTRUCTIONS

STRETCH SYSTEM

The **Stamina® Active Aging EasyDecompress Pro** stretches the back with its one way rack and pinion engineering. Lie on the **Stamina® Active Aging EasyDecompress Pro** with the **FOAM PADS(53)** holding your ankles. Pull the **HANDLEBARS(4)** back and forth as many times as needed until you feel a gentle stretch. Stop pulling at the desired position and stay at the stretched position for a few minutes. Push the **HANDLEBARS(4)** firmly toward your head to release the stretch.

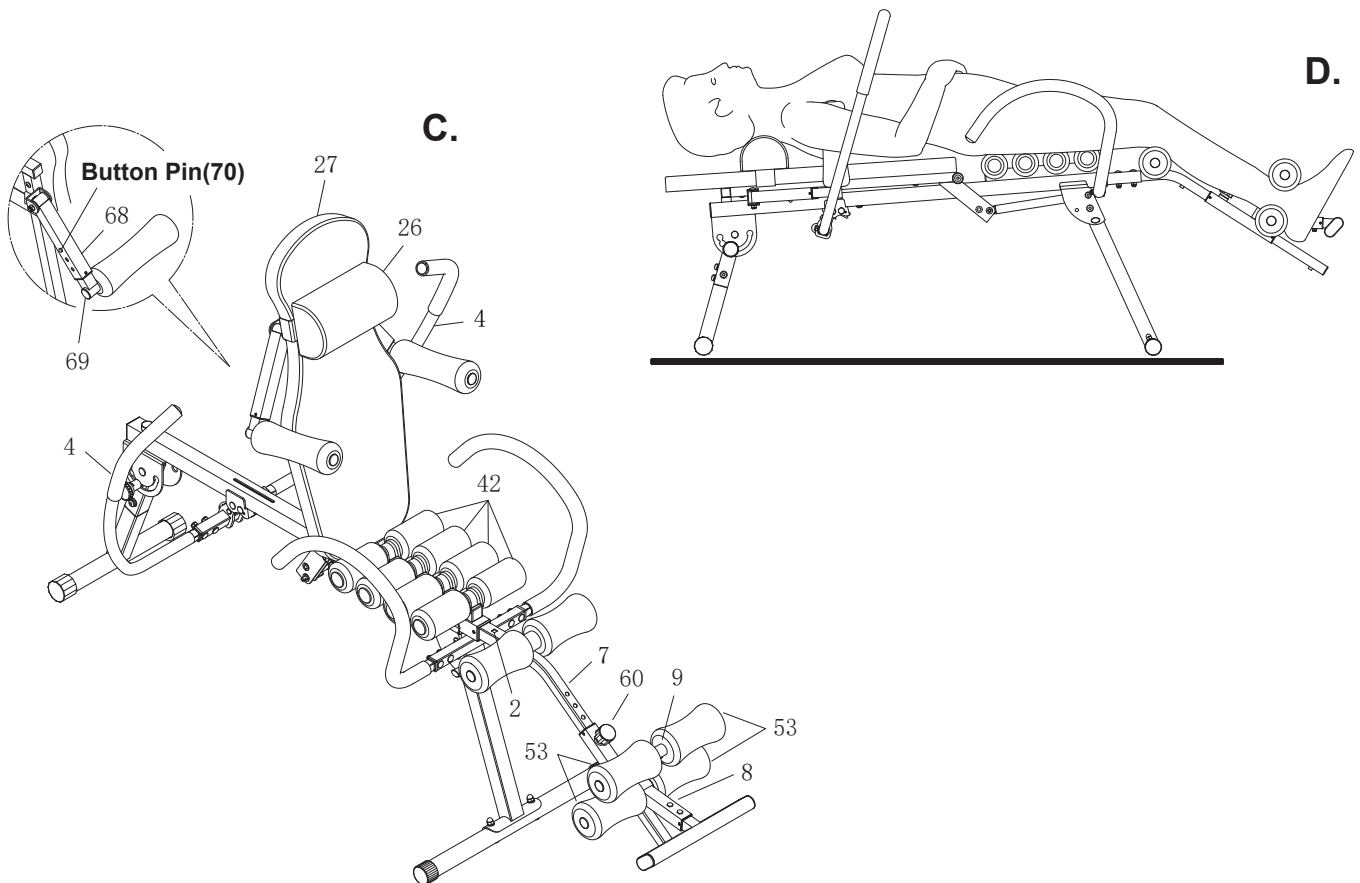


OPERATIONAL INSTRUCTIONS

USING THE Stamina® Active Aging EasyDecompress Pro

To use the **Stamina® Active Aging EasyDecompress Pro**, proper height adjustment is important. Use the following procedure to set the height adjustment for a revitalizing stretch.

1. Refer to illustration C. Sit up on the **FOAM ROLLERS(42)**. Push the **HANDLEBARS(4)** toward your head to release and pull the **EXTENDING TUBE(2)** into its shortest position with legs.
2. Lie on the **Stamina® Active Aging EasyDecompress Pro** with the **ARMPIT PADS(71)** under and supporting your armpits. If the **ARMPIT PADS(71)** do not rest comfortably under your armpits, adjust the **ARMPIT PAD SUPPORTS(69)** by pushing in the **BUTTON PIN(70)** and sliding them in or out of the **SWING ARMS(68)**. Straighten your body and legs to determine if a height adjustment needs to be made.
3. To make a height adjustment, loosen and pull the **ADJUSTMENT KNOB(60)** and slide the **SLIDING FRAME(8)** to adjust. Lock the **SLIDING FRAME(8)** in desired position by inserting the pin of the **ADJUSTMENT KNOB(60)** into one of the adjustment holes in the **HEIGHT ADJUSTMENT BEAM(7)**. Tighten the **ADJUSTMENT KNOB(60)** to lock the **SLIDING FRAME(8)** securely.
4. Sit up on the **FOAM ROLLERS(42)**. Adjust the **ADJUSTABLE INSTEP FRAME(9)** by pulling out the **SHORT PULL PIN(59)** and sliding it up, then place your ankles between the **FOAM PADS(53)**. Push the **ADJUSTABLE INSTEP FRAME(9)** down to secure your feet and lock in position with the **SHORT PULL PIN(59)**. Place the **ADJUSTABLE INSTEP FRAME(9)** at the position which is most comfortable for holding your ankles. Lie down with the **ARMPIT PADS(71)** under and supporting your armpits, refer to illustration D.
5. To stretch, pull the **HANDLEBARS(4)** back and forth as many times as needed to reach the proper stretch. Stop pulling at the desired stretch position and stay at the stretch position for few minutes. To release, push the **HANDLEBARS(4)** firmly toward your head.



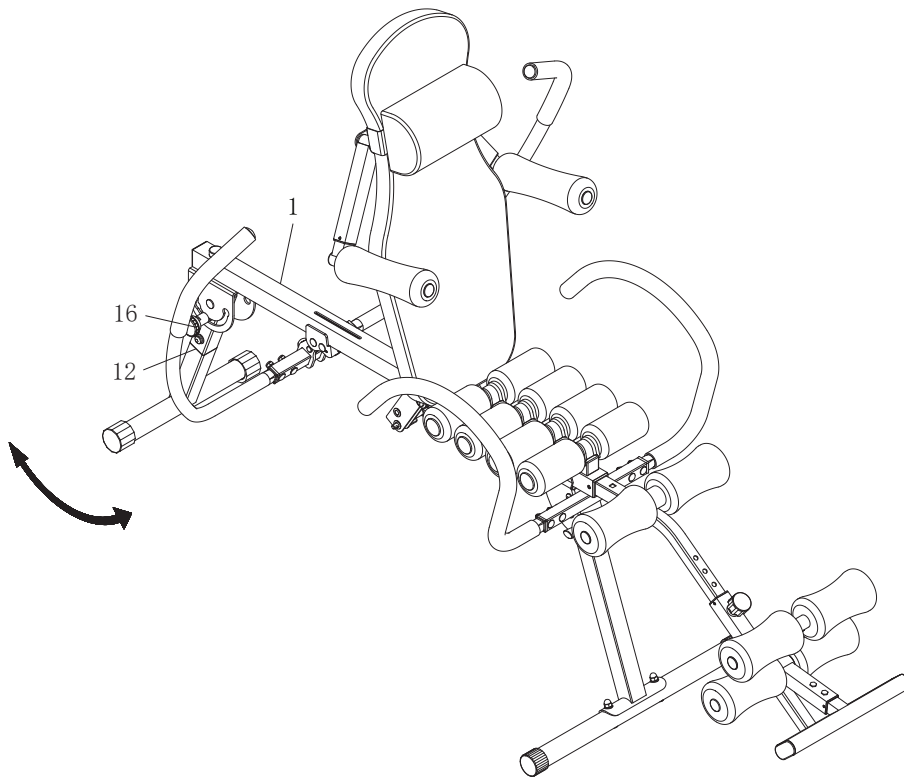
Armpit Pad Adjustment

To accommodate different sizes of users, the **ARMPIT PAD SUPPORTS(69)** can be adjusted to one of three positions. Refer to the detail view in illustration C. There are three adjustment holes in the back of the **SWING ARM(68)**. Start with the center position and adjust if necessary. To adjust, push the **BUTTON PIN(70)** in and slide the **ARMPIT PAD SUPPORTS(69)** to the position that is comfortable. Make sure that the **BUTTON PIN(70)** is snapped into the proper adjustment hole before use.

OPERATIONAL INSTRUCTIONS

Incline Angle Adjustment

There are three adjustment holes in the bracket on the **MAIN FRAME(1)** which allow the **REAR SUPPORT(12)** to be attached in three different incline positions. Pull the **SPRING KNOB(16)**, then swing the **REAR SUPPORT(12)** to desired position and lock in one of the incline positions with the **SPRING KNOB(16)**. More incline angle will offer more stretch force.



PARTS LIST

PART#	PART NAME	QTY
1	Main Frame	1
2	Extending Tube	1
3	Rear Stabilizer	1
4	Handlebar	2
5	Front Support	1
6	Front Stabilizer	1
7	Height Adjustment Beam	1
8	Sliding Frame	1
9	Adjustable Instep Frame	1
10	Footbar	1
11	Left Handrail	1
12	Rear Support	1
13	Bolt, Button Head (M8 x 1.25 x 16mm)	4
14	Carriage Bolt (M10 x 1.5 x 71mm)	1
15	Nylock Nut (M8 x 1.25)	15
16	Spring Knob	1
17	Spring (ø1.4 x ø13.8 x 48mm)	1
18	Pin Bolt (M10 x 1.5 x 57mm)	1
19	Leveling Endcap (ø38mm)	2
20	Square Plug (38 x 38mm)	1
21	Square Plug (30mm x 30mm)	2
22	Sleeve (38mm x 38mm)	1
23	Handlebar Connector	1
24	Foam Tube (ø22 x ø28 x 275mm)	2
25	Dome Plug (25mm)	4
26	Pillow	1
27	Cushion	1
28	Bolt, Flat Head (M6 x 1 x 13mm)	3
29	Shoulder Bolt, Button Head (M6 x 1 x 22mm)	1
30	Carriage Bolt (M8 x 1.25 x 37mm)	8
31	Pressing Spring (ø0.8 x ø5.9 x 20mm)	1
32	Gear	1
33	Carriage Bolt (M8 x 1.25 x 60mm)	2
34	Claw Stopper	1
35	C Ring (8mm)	1
36	Handlebar Spacer (ø8.1 x ø12 x 24mm)	1
37	Claw Shaft	1
38	Twist Spring	1
39	Claw	1
40	Handlebar Bumper	1
41	Bolt, Button Head (M6 x 1 x 35mm)	4
42	Foam Roller (ø22 x ø70 x 120mm)	8
43	Roller Sleeve	8
44	Carriage Bolt (M8 x 1.25 x 41mm)	2
45	Long Foam Tube (ø22 x ø28 x 740mm)	2
46	Foam Roller Spacer	4
47	Front Support Bushing (ø10.5 x ø40mm)	2
48	Bolt, Button Head (M10 x 1.5 x 68mm)	1

PARTS LIST

PART#	PART NAME	QTY
49	Pull Pin (ø8 x 68mm)	1
50	Nylock Nut (M10 x 1.5)	3
51	Pad Tube	2
52	Pad Tube Bushing (ø26.5 x ø40mm)	4
53	Foam Pad (ø22 x ø85 x 155mm)	6
54	Round Plug (25mm)	10
55	Acorn Nut (M8 x 1.25)	2
56	Arc Washer (M8)	2
57	Endcap (38mm)	2
58	Bolt, Socket Head (M6 x 1 x 15mm)	2
59	Short Pull Pin (ø8 x ø42mm)	1
60	Adjustment Knob	1
61	Square Bushing (30mm x 30mm)	6
62	Bolt, Hex Head (M6 x 1 x 35mm)	2
63	Nylock Nut (M6 x 1)	2
64	Oval Plug (30mm x 60mm)	2
65	Square Plug (25mm x 25mm)	3
66	Gear Rack	1
67	Cushion Support	1
68	Swing Arm	2
69	Armpit Pad Support	2
70	Button Pin	3
71	Armpit Pad (ø22 x ø70 x 225mm)	2
72	Swing Arm Bushing (ø8 x ø25mm)	4
73	Carriage Bolt (M8 x 1.25 x 52mm)	2
74	T Pull Pin	1
75	Air Shock	1
76	Bolt, Button Head (M10 x 1.5 x 168mm)	1
77	Washer (M10)	2
78	Cushion Support Bushing (ø10 x ø28mm)	6
79	Right Handrail	1
80	Bolt, Button Head (M8 x 1.25 x 66mm)	1
81	Washer (M6)	2
82	Cushion Support Bumper	1
83	Pivoting Bushing (ø8.1 x ø18 x 9.3mm)	2
84	Caution Label	1
85	Serial Decal	1
86	Allen Wrench (4mm)	1
87	Allen Wrench (6mm)	1
88	Wrench	1
89	Single Ended Wrench	1
90	Manual	1

LIMITED WARRANTY

MODEL 55-1489

WARRANTY

Stamina Products, Inc. ("Stamina") warrants to the original purchaser that this product will be free from defects in materials and workmanship that arise under normal use, service, proper assembly and proper operation in accordance with product warnings/instructions for a period of 90 days on the parts and three years on the frame from the date of the original purchase from an authorized retailer. **THIS WARRANTY SHALL NOT APPLY TO ANY PRODUCT WHICH HAS BEEN SUBJECT TO COMMERCIAL USE, ABUSE, MISUSE, ALTERATION OF ANY KIND OR TO ANY DEFECT OR CHANGE CAUSED BY IMPROPER ASSEMBLY, REPAIR, REPLACEMENT, SUBSTITUTION OR USE WITH PARTS NOT PROVIDED BY STAMINA.** Commercial use includes use of product in athletic clubs, health clubs, spas, gyms, and all other public or semipublic facilities whether or not the product's use is in furtherance of a profit making enterprise, and all other use which is not for personal purposes.

To implement this limited warranty, send a written notice stating your name, date, and place of purchase and a brief description of the defect along with your receipt to Stamina Products, Inc. 2040 N Alliance Ave, Springfield, Missouri, USA, MO 65803, or email us at customer.care@staminaproducts.com, or call us at 1-800-375-7520. If the defect is covered under this limited warranty, you will be requested to return the product or part to us for free repair or replacement at our option.

NO ACTION FOR BREACH OF THIS LIMITED WARRANTY MAY BE COMMENCED MORE THAN ONE (1) YEAR AFTER THE DATE THE ALLEGED BREACH WAS OR SHOULD HAVE BEEN DISCOVERED. NO ACTION FOR BREACH OF ANY IMPLIED WARRANTY (INCLUDING MERCHANTABILITY AND FITNESS FOR A PARTICULAR PURPOSE) MAY BE COMMENCED MORE THAN ONE (1) YEAR AFTER DELIVERY OF THE PRODUCT TO THE PURCHASER. These warranties are not transferable. IF ANY PART OF THE PRODUCT IS NOT IN COMPLIANCE WITH THIS LIMITED WARRANTY OR ANY IMPLIED WARRANTY, THE REMEDY OF REPAIR OR REPLACEMENT IS THE EXCLUSIVE REMEDY. If any claim is made under this limited warranty or any implied warranty, Stamina reserves the right to require the product to be returned for inspection, at the purchaser's expense, to Stamina's premises in Springfield, Missouri. Return of the enclosed warranty registration card is not required for warranty coverage, but is merely a way of establishing the date and place of purchase.

Stamina **SHALL NOT BE LIABLE FOR THE LOSS OF USE OF ANY PRODUCT, LOSS OF TIME, INCONVENIENCE, COMMERCIAL LOSS OR ANY OTHER INDIRECT, CONSEQUENTIAL, SPECIAL OR INCIDENTAL DAMAGES DUE TO BREACH OF THE ABOVE WARRANTY OR ANY IMPLIED WARRANTY.**

THIS LIMITED WARRANTY IS THE ONLY EXPRESS WARRANTY. NO ORAL OR WRITTEN INFORMATION GIVEN BY STAMINA, ITS AGENTS OR EMPLOYEES, SHALL CREATE A WARRANTY OR IN ANY WAY INCREASE THE SCOPE OF THIS WARRANTY. This warranty gives you specific legal rights, and you may also have other legal rights which vary from state to state. **ANY OTHER RIGHT WHICH YOU MAY HAVE, INCLUDING ANY IMPLIED WARRANTY OF MERCHANTABILITY OR FITNESS FOR A PARTICULAR PURPOSE, IS LIMITED IN DURATION TO THE DURATION OF THIS WARRANTY.**

The laws in some states affect the disclaimer or limitation of implied warranties and consequential and incidental damages. If any such law is found applicable, the foregoing disclaimers and limitations of and on implied warranties and consequential and incidental damages shall be deemed to be modified to the extent necessary to comply with applicable law.

NOTES

NOTES

TO CONTACT CUSTOMER CARE

For your convenience, Stamina's customer care representatives can be reached by email at customer.care@staminaproducts.com or by phone at 1-800-375-7520 (in the U.S.). Our customer care representatives are available Monday through Thursday from 7:30 a.m. until 5:00 p.m., and Friday 8:00 a.m. until 3 p.m. Central Time.



**ONLINE
CUSTOMER CARE**
customer.care@staminaproducts.com
www.staminaproducts.com



**TELEPHONE
CUSTOMER CARE**
Tel: 1 (800) 375-7520



**FAX
CUSTOMER CARE**
Fax: (417) 889-8064



MAIL
STAMINA PRODUCTS, INC.
ATTN: Customer Care
2040 N Alliance Ave, Springfield, MO 65803

Would you like to receive email information or special offers from Stamina Products? Register at contact.staminaproducts.com

TO REGISTER YOUR PRODUCT

To enact your warranty, please register your product by going to register.staminaproducts.com. Please have your product model number (printed on the cover of this owner's manual) and the serial number (printed on the black and white sticker on your product) ready.

If you don't have internet access, you can call customer care at 1-800-375-7520, or fill out and mail the product registration form below to Stamina Products, Inc.; 2040 N Alliance Ave, Springfield, MO 65803.

PRODUCT REGISTRATION FORM		Stamina Products, Inc. 2040 N Alliance Ave, Springfield, MO 65803	
Model Number:		Serial Number:	
Product Name:			
Place Purchased:			
Date of Purchase:		Purchase Price:	
First Name:		Last Name:	
City:	State:	Phone #: ()	Zip Code:
Email Address:		Phone #: ()	
Would you like to receive email information or special offers from Stamina Products?* <input type="checkbox"/> Yes <input type="checkbox"/> No *If yes, be sure your email address is included above.			



Detach and Mail or Fax the Form Above



TO ORDER PARTS

If there are missing or damaged parts, you can go to parts.staminaproducts.com and order those parts. If you have questions, please contact customer care. Do not return the product. To order parts by mail, fill out the sheet below and fax it to 417-889-8064. The part will be mailed to your address.



Detach and Mail or Fax the Form Below



PARTS ORDER FORM		Stamina Products, Inc. 2040 N Alliance Ave, Springfield, MO 65803	
Mr./Ms:			
Address:		Apt. #:	
City:	State:	Zip Code:	
IMPORTANT : We require your phone number to process the order!			
Phone #: ()		Work Phone #: ()	
Date of Purchase:			
Model #:			
Purchased From:			
IMPORTANT: Before filling out the portion below, make sure you have the correct information. Refer to the parts list to make sure you're ordering the right parts!			
PART #	DESCRIPTION	QUANTITY	
EXAMPLE: 1	Rear Unit Assembly	1	