

Product May Vary  
Slightly From Pictured.

**STAMINA** | X  
EXTREME TRAINING SERIES

**BOULDER FIT  
DOOR GYM**  
WITH ROCK CLIMBING HAND HOLDS

## Owner's Manual

### Safety Instructions

- ▲ WARNING** Cancer and Reproductive Harm [www.P65Warnings.ca.gov](http://www.P65Warnings.ca.gov)
- ▲ WARNING** This equipment is for home use only. Do not use in institutional or commercial applications. Failure to follow this warning could result in death or serious injury.
- ▲ WARNING** To reduce the risk of serious injury, read the following Safety Instructions before using the **Boulder Fit Door Gym**.

1. Save these instructions and ensure that other exercisers read this manual prior to using the **Boulder Fit Door Gym** for the first time.
2. Read this Owner's Manual and follow it carefully before using the **Boulder Fit Door Gym**.
3. Keep children away from the **Boulder Fit Door Gym**. Do not allow children to use or play around the **Boulder Fit Door Gym**. Keep children and pets away from the **Boulder Fit Door Gym** when it is in use.
4. The equipment can be used only if it is examined regularly for damage and wear. Before using, inspect the **Boulder Fit Door Gym** for worn or loose components, and securely tighten or replace any worn or loose components prior to use. Please replace defective components immediately and keep the equipment out of use until repair. Contact customer care (specific information is as below) for repair or component replacement.
5. Before use, carefully read and understand all of the directions of the **Boulder Fit Door Gym** for proper installation. Also, make sure the door frame and moldings are secure and solid before installing **Boulder Fit Door Gym**. A weak door frame and/or moldings can cause the unit to fail and dislodge from the door way. Insert safety wedge according to provided instructions.
6. Before using the **Boulder Fit Door Gym**, tug down on the Handlebars to make sure the unit is securely installed into the door frame.
7. As the **Boulder Fit Door Gym** is not designed for permanent installation, remove it from the door frame and store away in a safe place until next use.
8. Injuries may result from incorrect or excessive training. Consult a physician prior to commencing an exercise program. If at any time during exercise you feel faint, dizzy, or experience pain, stop and consult your physician.
9. Always choose the workout which best fits your physical strength and flexibility level. Know your limits and train within them. Always use common sense when exercising.
10. Do not wear loose or dangling clothing while using the **Boulder Fit Door Gym**.
11. The **Boulder Fit Door Gym** should not be used by persons weighing over 250 pounds.
12. The **Boulder Fit Door Gym** should be used by only one person at a time. Do not swing or play on the **Boulder Fit Door Gym**. Do not hang upside down on the **Boulder Fit Door Gym**.
13. The **Boulder Fit Door Gym** is for consumer use only. It is not for use in public or semipublic facilities.
14. The **Boulder Fit Door Gym** has a total mass and dimension of: 37" x 19" x 11 1/2" weighing 11.5 lbs.

This Product is Produced Exclusively by



2040 N Alliance Ave, Springfield, MO 65803  
Customer Care  
1 (800) 375-7520  
[customer.care@staminaproducts.com](mailto:customer.care@staminaproducts.com)  
[www.staminaproducts.com](http://www.staminaproducts.com)

When calling for parts or  
service, please specify the  
following model number:  
**50 - 0085A**

MADE IN CHINA  
© 2013 Stamina Products, Inc.  
2018, 11

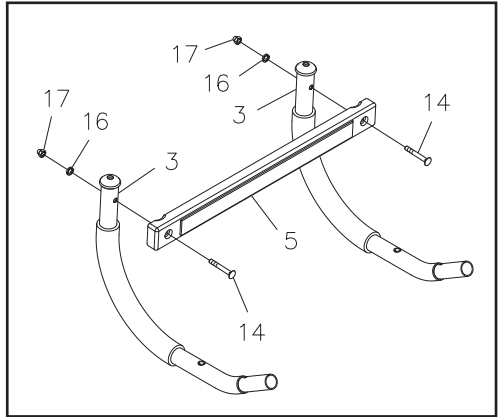
# Assembly Instructions

## NOTE:

Do not tighten any bolts until STEP 5.

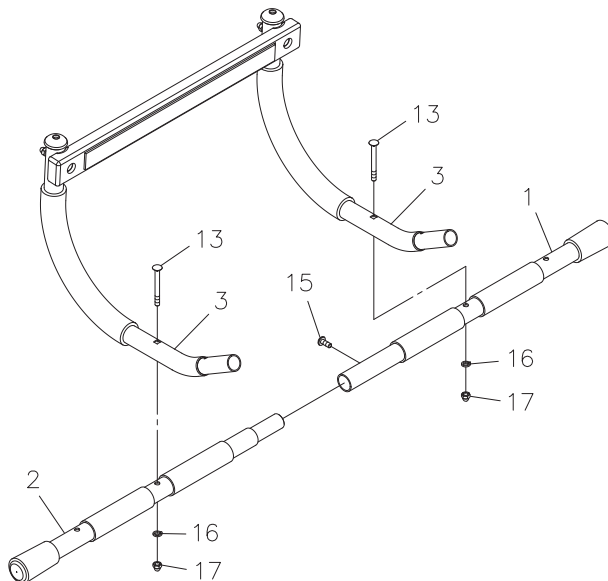
## STEP 1

Attach the **ARCHED SUPPORTS(3)** to the **PLASTIC BAR(5)** with **CARRIAGE BOLTS(M6x1x45mm)(14)**, **LOCK WASHERS(M6)(16)**, and **ACORN NUTS(M6x1)(17)**.



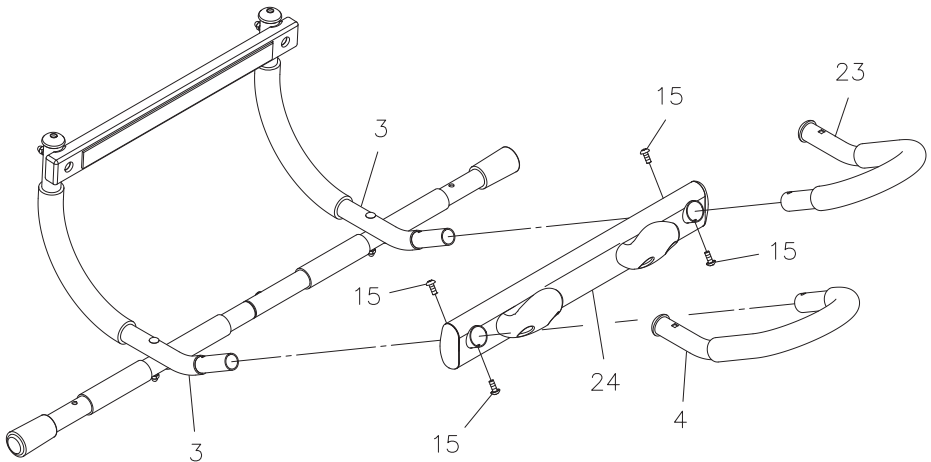
**STEP 2:** Insert the **INNER BAR(2)** into the **OUTER BAR(1)** and secure with **BUTTON HEAD BOLT(M6x1x15mm)(15)**.

**STEP 3:** Attach the **ARCHED SUPPORTS(3)** to the **OUTER and INNER BARS(1, 2)** with **CARRIAGE BOLTS(M6x1x58mm)(13)**, **LOCK WASHERS(M6)(16)**, and **ACORN NUTS(M6x1)(17)**.



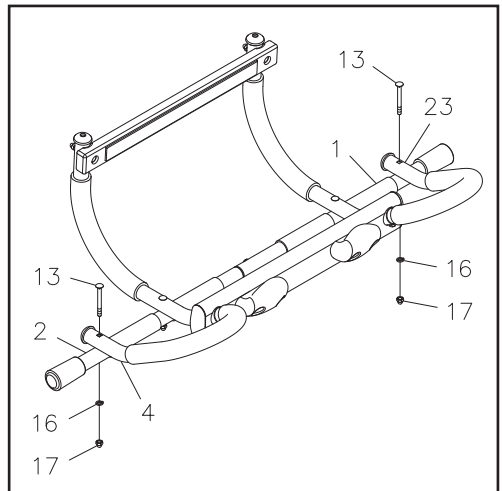
## Assembly Instructions

**STEP 4:** Slide the **MOUNTING BAR(24)** onto both **ARCHED SUPPORTS(3)**. Insert the **LEFT** and **RIGHT HANDLEBARS(4, 23)** onto both **ARCHED SUPPORTS(3)** and run through the **MOUNTING BAR(24)**. Align the holes in the **ARCHED SUPPORTS(3)**, **HANDLEBARS(4, 23)**, and **MOUNTING BAR(24)** then bolt them together with **BUTTON HEAD BOLTS(M6x1x15mm)(15)**.



### STEP 5

Attach the **LEFT HANDLEBAR(4)** to the **INNER BAR(2)** with **CARRIAGE BOLTS(M6x1x58mm)(13)**, **LOCK WASHERS(M6)(16)**, and **ACORN NUTS(M6x1)(17)**. Repeat on right side to attach the **RIGHT HANDLEBAR(23)** to the **OUTER BAR(1)**. Tighten all bolts from STEP 1 to STEP 5.



# Installation Instructions

**Caution:** Before use, carefully read and understand all of the following directions for proper installation. Also, make sure the door frame and moldings are secure and solid before installing Boulder Fit Door Gym. A weak door frame and/or moldings can cause the unit to fail and dislodge from the door way. The Boulder Fit Door Gym will fit any standard door frame that is 24" to 32" wide.

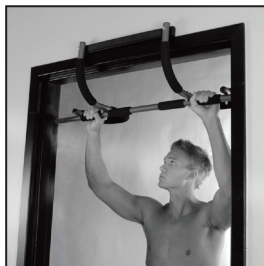
1. With the pointed side down, slide the Safety Wedge(19) down behind the top door frame/molding as shown in the illustration.



2. Position the bottom edge of the Plastic Bar(5) so it is resting securely on the hinge side of the door on top of the door frame/molding and on top of the Safety Wedge(19).

3. Make sure the **Boulder Fit Door Gym's** two end Foam Pads(10) are on the opposite side of the door opening and are in full contact with and resting against both sides of the door frame moldings.

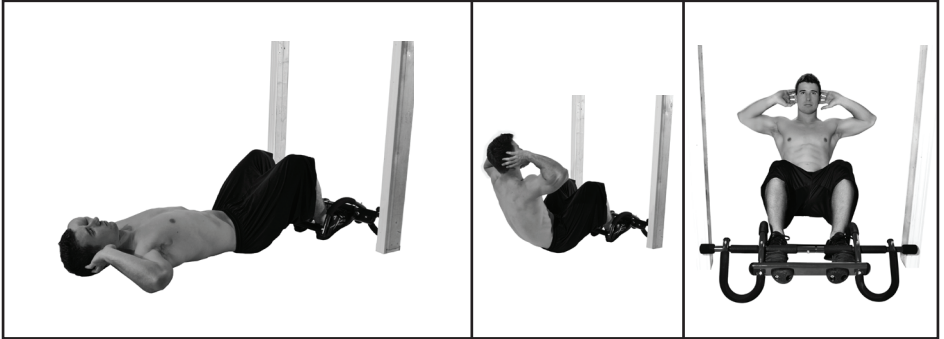
**IMPORTANT:** Before using the **Boulder Fit Door Gym**, pull down on the Hand Grips(9) to make sure the unit is securely attached onto the door frame. As **Boulder Fit Door Gym** is not designed for permanent installation, remove it from the door frame and store away in a safe place until next use.



# Workout Instructions

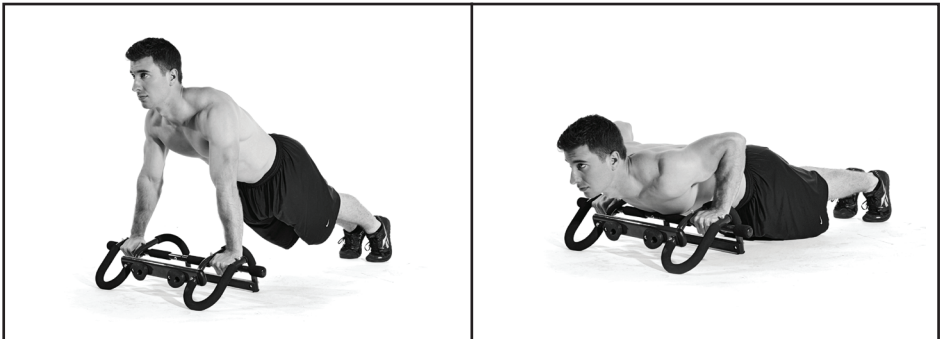
## Sit Ups:

Place door gym at the bottom of door frame for sit ups.



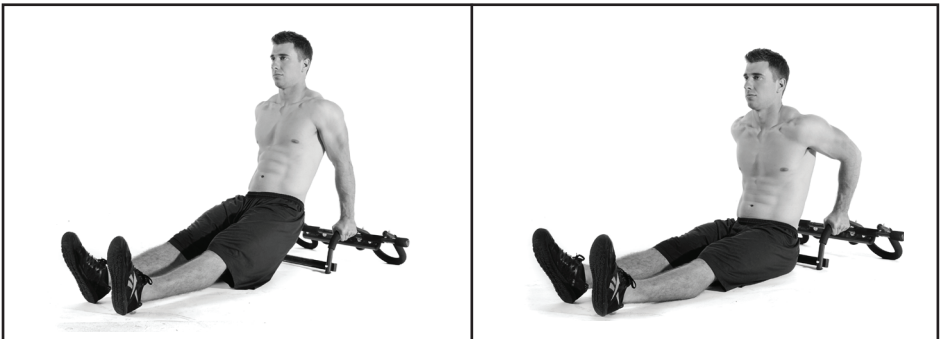
## Push ups:

Place door gym on the ground as shown below to perform push ups.



## Triceps Dips:

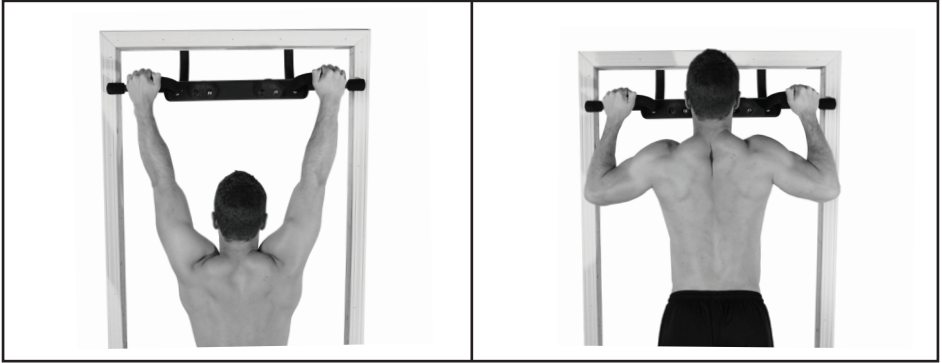
Place product on the ground as shown below to perform tricep dips.



## *Workout Instructions*

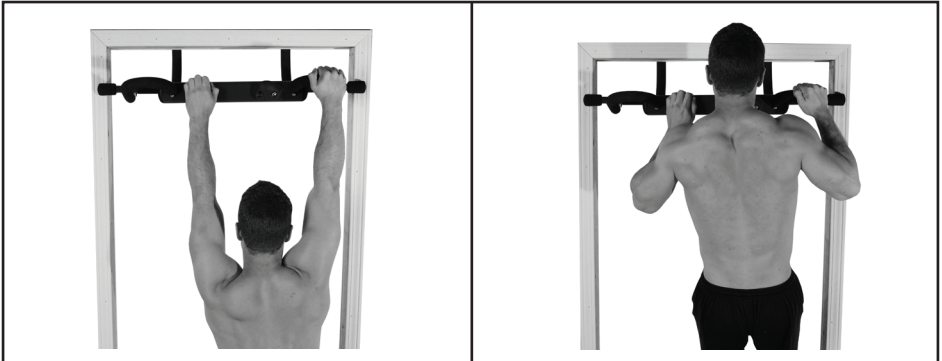
### **Wide grip pull ups:**

Grip the round foam holds or the straight foam holds for wide grip pull ups.

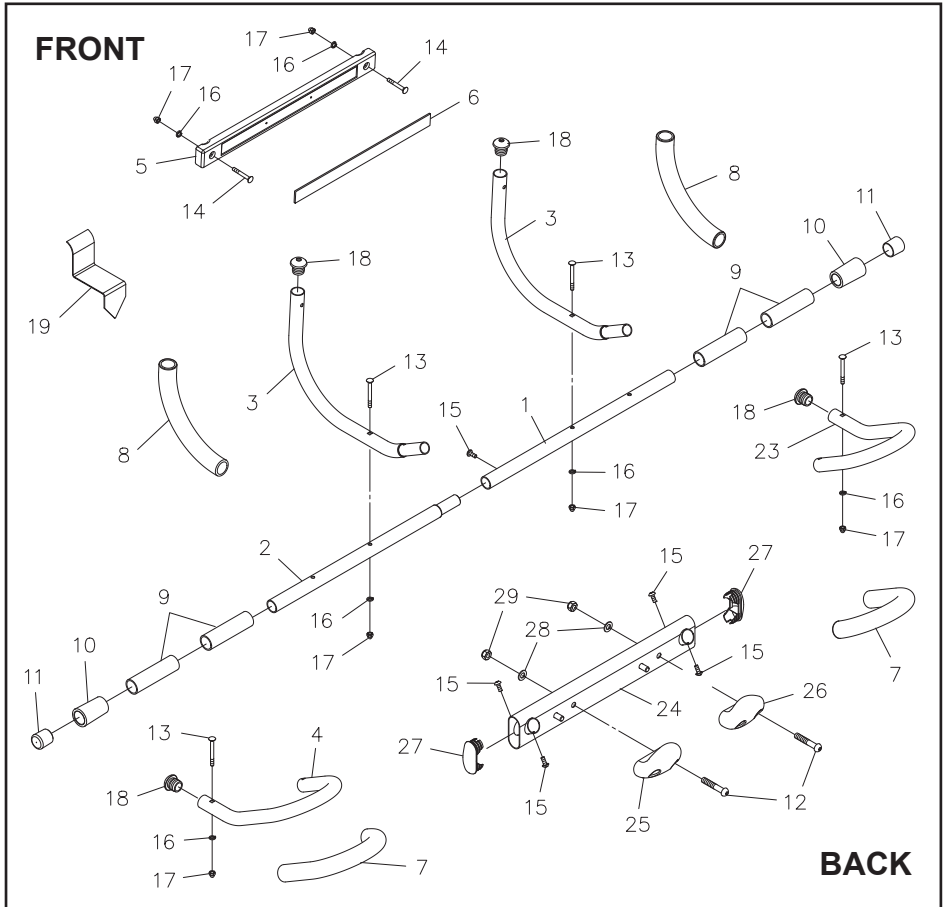


### **Combination pull ups:**

Grip a combination of foam holds or rock climbing hand holds and perform a pull up. Make sure weight is distributed evenly on door gym.



# Product Parts Drawing and Parts List



Part No. and Description	Qty	Part No. and Description	Qty
1 Outer Bar	1	16 Lock Washer (M6)	6
2 Inner Bar	1	17 Acorn Nut (M6 x 1)	6
3 Arched Support	2	18 Round Plug (25.4mm)	4
4 Left Handlebar	1	19 Safety Wedge	1
5 Plastic Bar	1	20 Wrench	1
6 EVA Pad	1	21 Allen Wrench (5mm)	1
7 Foam Tube	2	22 Owner's Manual	1
8 Foam Grip	2	23 Right Handlebar	1
9 Hand Grip	4	24 Mounting Bar	1
10 Foam Pad	2	25 Larger Hand Hold	1
11 Endcap (25.4mm)	2	26 Small Hand Hold	1
12 Bolt, Button Head (M10x1.5x57mm)	2	27 Oval Plug (30mm x 70mm)	2
13 Carriage Bolt (M6 x 1 x 58mm)	4	28 Washer (M10)	2
14 Carriage Bolt (M6 x 1 x 45mm)	2	29 Nylock Nut (M10 x 1.5)	2
15 Bolt, Button Head (M6 x 1 x 15mm)	5		

# Limited Warranty

**MODEL 50-0085A**

Stamina Products, Inc. (“Stamina”) warrants to the original purchaser that this product will be free from defects in materials and workmanship that arise under normal use, service, proper assembly and proper operation in accordance with product warnings/instructions for a period of 90 days on the parts and one year on the frame from the date of the original purchase from an authorized retailer. **THIS WARRANTY SHALL NOT APPLY TO ANY PRODUCT WHICH HAS BEEN SUBJECT TO COMMERCIAL USE, ABUSE, MISUSE, ALTERATION OF ANY KIND OR TO ANY DEFECT OR CHANGE CAUSED BY IMPROPER ASSEMBLY, REPAIR, REPLACEMENT, SUBSTITUTION OR USE WITH PARTS NOT PROVIDED BY STAMINA.** Commercial use includes use of product in athletic clubs, health clubs, spas, gyms, and all other public or semipublic facilities whether or not the product’s use is in furtherance of a profit making enterprise, and all other use which is not for personal purposes.

To implement this limited warranty, send a written notice stating your name, date, and place of purchase and a brief description of the defect along with your receipt to Stamina Products, Inc. 2040 N Alliance Ave, Springfield, Missouri, USA, MO 65803, or email us at [customer.care@staminaproducts.com](mailto:customer.care@staminaproducts.com), or call us at 1-800-375-7520. If the defect is covered under this limited warranty, you will be requested to return the product or part to us for free repair or replacement at our option.

**NO ACTION FOR BREACH OF THIS LIMITED WARRANTY MAY BE COMMENCED MORE THAN ONE (1) YEAR AFTER THE DATE THE ALLEGED BREACH WAS OR SHOULD HAVE BEEN DISCOVERED. NO ACTION FOR BREACH OF ANY IMPLIED WARRANTY (INCLUDING MERCHANTABILITY AND FITNESS FOR A PARTICULAR PURPOSE) MAY BE COMMENCED MORE THAN ONE (1) YEAR AFTER DELIVERY OF THE PRODUCT TO THE PURCHASER.** These warranties are not transferable. **IF ANY PART OF THE PRODUCT IS NOT IN COMPLIANCE WITH THIS LIMITED WARRANTY OR ANY IMPLIED WARRANTY, THE REMEDY OF REPAIR OR REPLACEMENT IS THE EXCLUSIVE REMEDY.** If any claim is made under this limited warranty or any implied warranty, Stamina reserves the right to require the product to be returned for inspection, at the purchaser’s expense, to Stamina’s premises in Springfield, Missouri. Return of the enclosed warranty registration card is not required for warranty coverage, but is merely a way of establishing the date and place of purchase.

Stamina **SHALL NOT BE LIABLE FOR THE LOSS OF USE OF ANY PRODUCT, LOSS OF TIME, INCONVENIENCE, COMMERCIAL LOSS OR ANY OTHER INDIRECT, CONSEQUENTIAL, SPECIAL OR INCIDENTAL DAMAGES DUE TO BREACH OF THE ABOVE WARRANTY OR ANY IMPLIED WARRANTY.**

**THIS LIMITED WARRANTY IS THE ONLY EXPRESS WARRANTY. NO ORAL OR WRITTEN INFORMATION GIVEN BY STAMINA, ITS AGENTS OR EMPLOYEES, SHALL CREATE A WARRANTY OR IN ANY WAY INCREASE THE SCOPE OF THIS WARRANTY.** This warranty gives you specific legal rights, and you may also have other legal rights which vary from state to state. **ANY OTHER RIGHT WHICH YOU MAY HAVE, INCLUDING ANY IMPLIED WARRANTY OF MERCHANTABILITY OR FITNESS FOR A PARTICULAR PURPOSE, IS LIMITED IN DURATION TO THE DURATION OF THIS WARRANTY.**

The laws in some states affect the disclaimer or limitation of implied warranties and consequential and incidental damages. If any such law is found applicable, the foregoing disclaimers and limitations of and on implied warranties and consequential and incidental damages shall be deemed to be modified to the extent necessary to comply with applicable law.