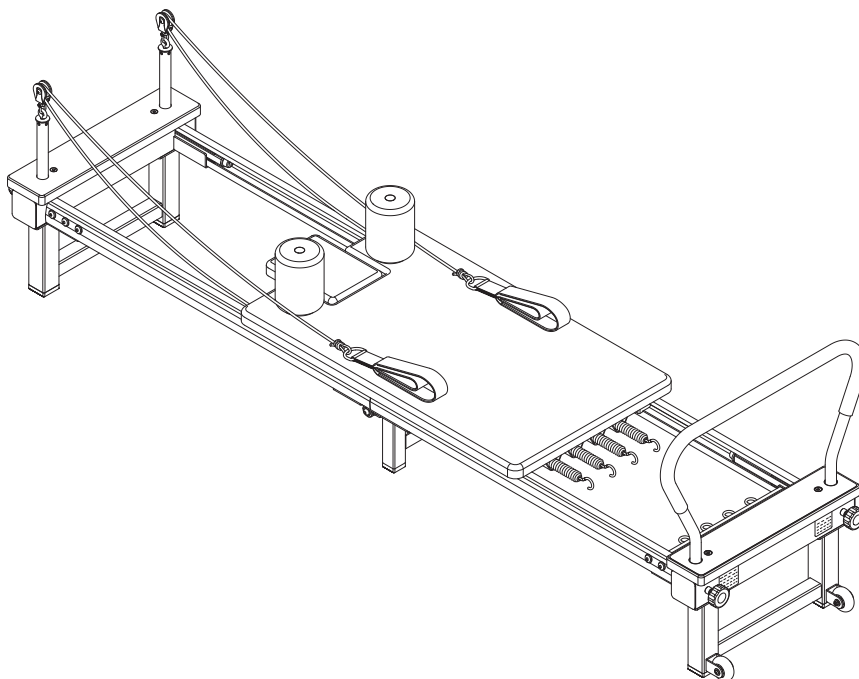


AeroPilates®

LESS STRESS | MORE HEART

PRECISION SERIES REFORMER 610

Owner's Manual



Product May Vary Slightly From Pictured.

CAUTION:

Weight on this product should not exceed 350 lbs.

This Product is Distributed Exclusively by



2040 N. Alliance, Springfield, MO 65803

Customer Care

1 (800) 375-7520

www.staminaproducts.com

⚠ WARNING

Exercise can present a health risk. Consult a physician before beginning any exercise program with this equipment. If you feel faint or dizzy, immediately discontinue use of this equipment. Serious bodily injury can occur if this equipment is not assembled and used correctly. Serious bodily injury can also occur if all instructions are not followed. Keep others and pets away from equipment when in use. Always make sure all bolts and nuts are securely tightened prior to each use. Follow all safety instructions in this manual.

When calling for parts or service, please specify the following numbers:

Model#: 55-5610

S/N: _____

United States and/or International patents apply and/or are pending. See www.staminaproducts.com for details.

**STAMINA PRODUCTS
MADE IN CHINA**

© 2018 Stamina Products, Inc.
2018, 03

ACCESS YOUR WORKOUT VIDEOS!

How to Access Your Videos

1. Go to video.staminaproducts.com
2. Click 
3. Enter your product VIDEO CODE

*Your **video code** is the model number + serial number. This info can be found on the serial decal.*



Coupon Code*

15-033601JAN351450

REDEEM

**EXAMPLE ONLY. USE MODEL NUMBER + SERIAL NUMBER FROM THE DECAL ON THE PRODUCT.*

TABLE OF CONTENTS

Safety Instructions	3	Maintenance	16
Before You Begin	5	Conditioning Guidelines	17
Equipment Warning, Caution & Notice Labels ...	6	Warm-Up and Cool-Down	18
Hardware Identification Chart	7	Warranty	19
Assembly Instructions	8	Product Parts Drawing	20
Operational Instructions	12	Parts List	21
Storage	16	Fax/Mail Ordering Form	23

SAFETY INSTRUCTIONS

⚠ WARNING Cancer and Reproductive Harm www.P65Warnings.ca.gov

⚠ WARNING Consult your physician before starting this or any exercise program. This is especially important if you are over the age of 35, have never exercised before, are pregnant, or suffer from any health problem. This product is for home use only. Do not use in institutional or commercial applications. Failure to follow all warnings and instructions could result in serious injury or death.

⚠ CAUTION The Bungee Cord(36) contain natural rubber latex which may cause allergic reactions.

⚠ WARNING To reduce the risk of serious injury, read the following Safety Instructions before using the AeroPilates® Precision Series Reformer 610.

1. Save these instructions and ensure that other exercisers read this manual prior to using the **AeroPilates® Precision Series Reformer 610** for the first time.
2. Read all warnings and cautions posted on the **AeroPilates® Precision Series Reformer 610**.
3. The **AeroPilates® Precision Series Reformer 610** should only be used after a thorough review of the Owner's Manual. Make sure that it is properly assembled and tightened before use.
4. We recommend that two people be available for assembly of this product.
5. When exercising on this product, do not exercise at an intensity that causes the product itself to move. This could result in damage to your joints and to the product.
6. Keep children away from the **AeroPilates® Precision Series Reformer 610**. Do not allow children to use or play on the **AeroPilates® Precision Series Reformer 610**. Keep children and pets away from the **AeroPilates® Precision Series Reformer 610** when it is in use.
7. It is recommended that you place this exercise equipment on an equipment mat.
8. Set up and operate the **AeroPilates® Precision Series Reformer 610** on a solid level surface. Do not position the **AeroPilates® Precision Series Reformer 610** on loose rugs or uneven surfaces.
9. Make sure that adequate space is available for access to and around the **AeroPilates® Precision Series Reformer 610**.
10. Before using, inspect the **AeroPilates® Precision Series Reformer 610** for worn or loose components, and tighten or replace any worn or loose components prior to use.
11. When folding or unfolding the **AeroPilates® Precision Series Reformer 610**, keep all children away from the **AeroPilates® Precision Series Reformer 610** and make sure your hands are clear of any folding or pinch point.
12. Consult a physician prior to commencing an exercise program and follow his/her recommendations in developing your fitness program. If at any time during exercise you feel faint, dizzy, or experience pain, stop and consult your physician.
13. Always choose the workout which best fits your physical strength and flexibility level. Know your limits and train within them. Always use common sense when exercising.
14. Do not wear loose or dangling clothing while using the **AeroPilates® Precision Series Reformer 610**.
15. Be careful to maintain your balance while using, mounting, dismounting, or assembling the **AeroPilates® Precision Series Reformer 610**. Loss of balance may result in a fall and bodily injury.
16. The **AeroPilates® Precision Series Reformer 610** should not be used by persons weighing over 350 pounds.
17. The **AeroPilates® Precision Series Reformer 610** should be used by only one person at a time.
18. The **AeroPilates® Precision Series Reformer 610** is for consumer use only. It is not for use in public or semipublic facilities.

EXTEND YOUR PARTS WARRANTY TO 180 DAYS FROM THE DATE OF PURCHASE. REGISTER YOUR PRODUCT.



**NEED HELP?
CONTACT US FIRST
1 (800) 375-7520
customer.care@staminaproducts.com**

Hi! From all of us here at Stamina Products, thank you for your purchase. We know that you have big fitness goals in mind and we are here to help you along. Call us, email us, or send us a message on Facebook. Be sure to contact us if you have any questions on your new product. We look forward to hearing from you!

With your body in mind,
Stamina Customer Care

To enact your extended warranty and to help us better serve you, please go online and register your new product.

register.staminaproducts.com

It is quick and easy to register online, but if you're a little old school or just need a reason to raise that little flag on your mailbox, fill out the info on the last page of this manual and mail it in.



ONLINE

customer.care@staminaproducts.com
www.staminaproducts.com



TELEPHONE

1 (800) 375-7520



FAX

(417) 889-8064



MAIL

Stamina Products, Inc.
ATTN: Customer Care
P.O. Box 1071
Springfield, MO 65801-1071

 facebook.com/StaminaProducts
facebook.com/AeroPilates

CUSTOMER CARE HOURS:
Monday-Thursday, 7:30 AM-5:00 PM, Central Time
Friday, 8:00 AM-3:00 PM, Central Time

BEFORE YOU BEGIN

Thank you for choosing the **AeroPilates® Precision Series Reformer 610**. We take great pride in producing this quality product and hope it will provide many hours of quality exercise to make you feel better, look better, and enjoy life to its fullest.

It's a proven fact that a regular exercise program can improve your physical and mental health. Too often, our busy lifestyles limit our time and opportunity to exercise. The **AeroPilates® Precision Series Reformer 610** provides a convenient and simple method to begin your journey of getting your body in shape and achieving a happier and healthier lifestyle.

Before reading further, please review the drawing below and familiarize yourself with the parts that are labeled. Locate the serial decal on the product and write the serial number on the cover of the manual in the space provided. See page 5 for an image of the serial decal. Model number and serial number are required when

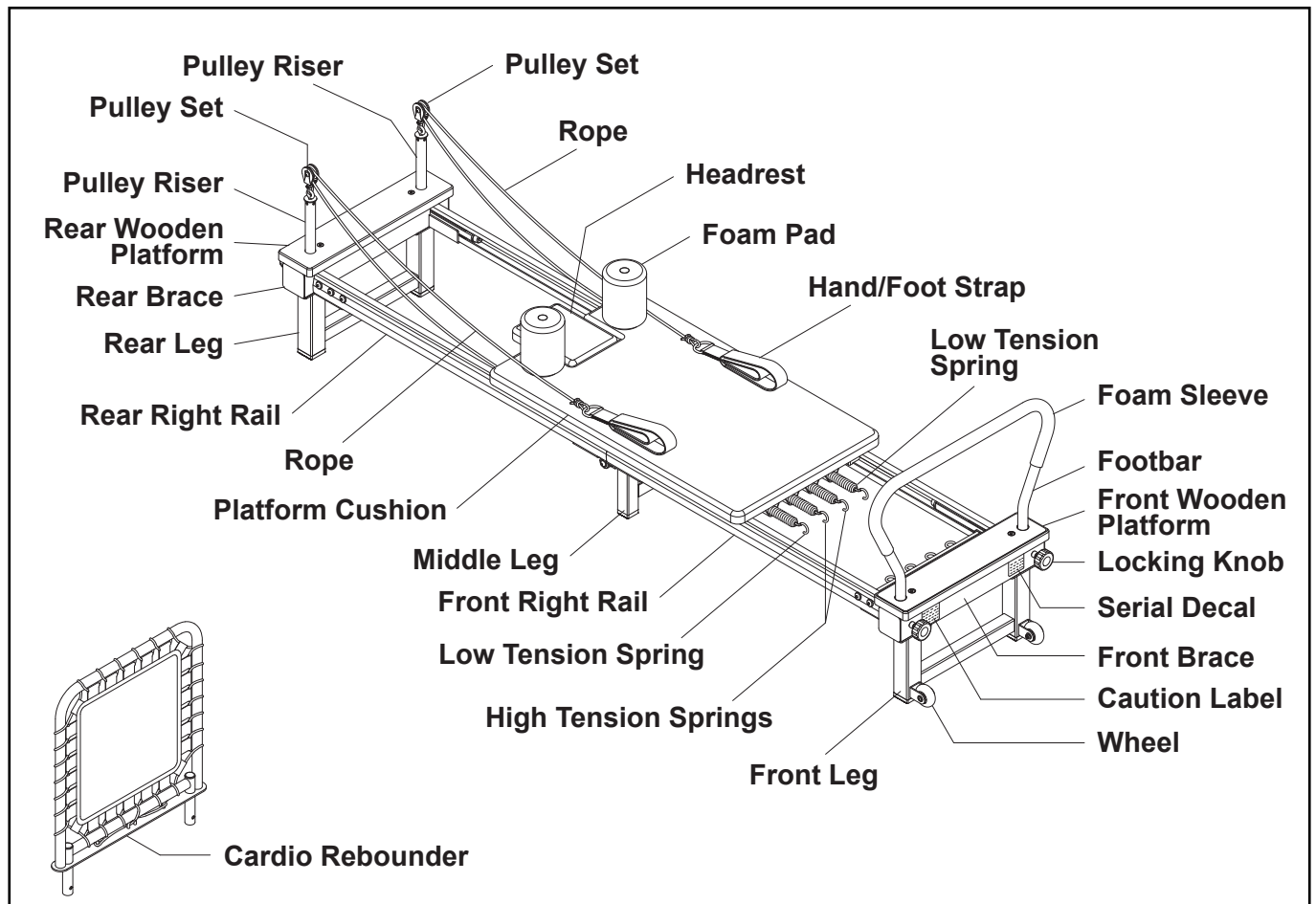
calling for assistance.

Read this manual carefully before using the **AeroPilates® Precision Series Reformer 610**.

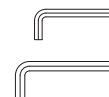
Although Stamina constructs its products with the finest materials and uses the highest standards of manufacturing and quality control, there can sometimes be missing parts or incorrectly sized parts. If you have any questions or problems with the parts included with your **AeroPilates® Precision Series Reformer 610**, please do not return the product. Contact us **FIRST!**

If a part is missing or defective, please go to staminaproducts.com under the Customer Care section and order the part needed, or call us toll free at 1-800-375-7520 (in the U.S.). Our Customer Care Staff is available to assist you from 7:30 A.M. to 5:00 P.M. (Central Time) Monday through Thursday and 8:00 A.M. to 3:00 P.M. (Central Time) on Friday.

Be sure to have the name and model number of the product available when you contact us.



THE FOLLOWING TOOLS ARE INCLUDED FOR ASSEMBLY:



Allen Wrench (3mm)

Allen Wrench (6mm)

EQUIPMENT WARNING, CAUTION & NOTICE LABELS

This chart is provided to help identify the warning, caution, and notice labels on the **AeroPilates® Precision Series Reformer 610**. Please take a moment to familiarize yourself with all of the warning, caution, and notice labels.

CAUTION LABEL(57)



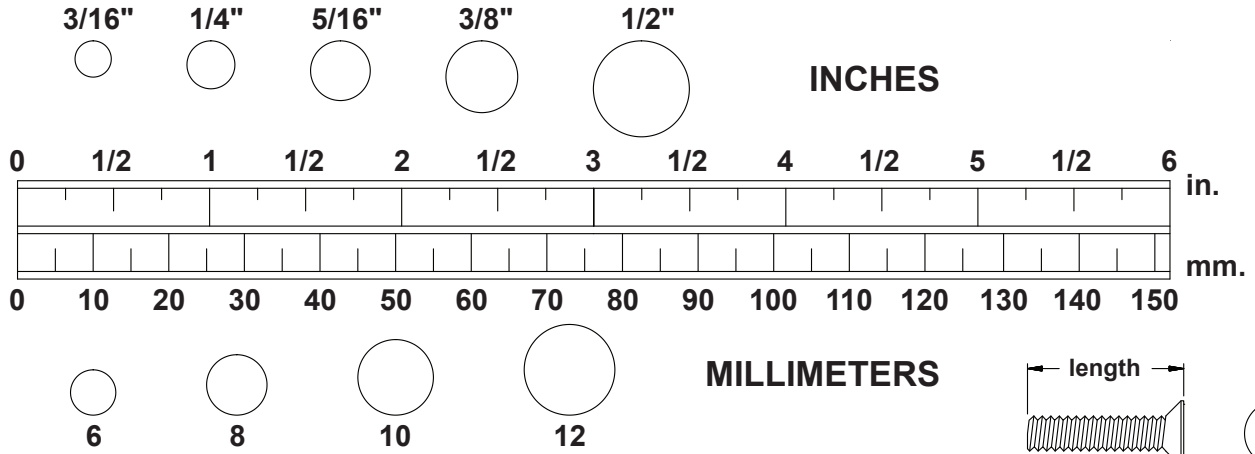
SERIAL DECAL(58)



To best serve you, our Customer Care Representatives will need your serial number. For quick access, write in your serial number on the cover of the manual.

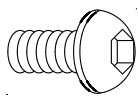
HARDWARE IDENTIFICATION CHART

This chart is provided to help identify the hardware used in the assembly process. Place the washers or the ends of the bolts or screws on the circles to check for the correct diameter. Use the small scale to check the length of the bolts and screws.

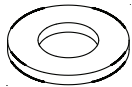


NOTICE: The length of all bolts and screws, except those with flat heads, is measured from below the head to the end of the bolt or screw. Flat head bolts and screws are measured from the top of the head to the end of the bolt or screw.

After unpacking the unit, open the hardware bag and make sure that you have all the following items. Some hardware may be already attached to the part.



Part Number and Description	Qty
71 Bolt, Button Head (M5 x 0.8 x 15mm)	2
77 Bolt, Button Head (M8 x 1.25 x 15mm)	20



84 Washer (M5)	2
86 Washer (M8)	20

ASSEMBLY INSTRUCTIONS

Place all parts from the box in a cleared area and position them on the floor in front of you. Remove all packing materials from your area and place them back into the box. Do not dispose of the packing materials until assembly is completed. Read each step carefully before beginning. If you are missing a part, please go to staminaproducts.com under the Customer Care section and order the part needed, e-mail us at customer.care@staminaproducts.com, or call us toll free at 1-800-375-7520 (in the U.S.). Our Customer Care Staff is available to assist you from 7:30 A.M. to 5:00 P.M. (Central Time) Monday through Thursday and 8:00 A.M. to 3:00 P.M. (Central Time) on Friday.

STEP 1

Remove your **AeroPilates® Precision Series Reformer 610** from its packaging, placing the product on its side. Unfold the **MAIN FRAME ASSEMBLY** half way as shown in the illustration.

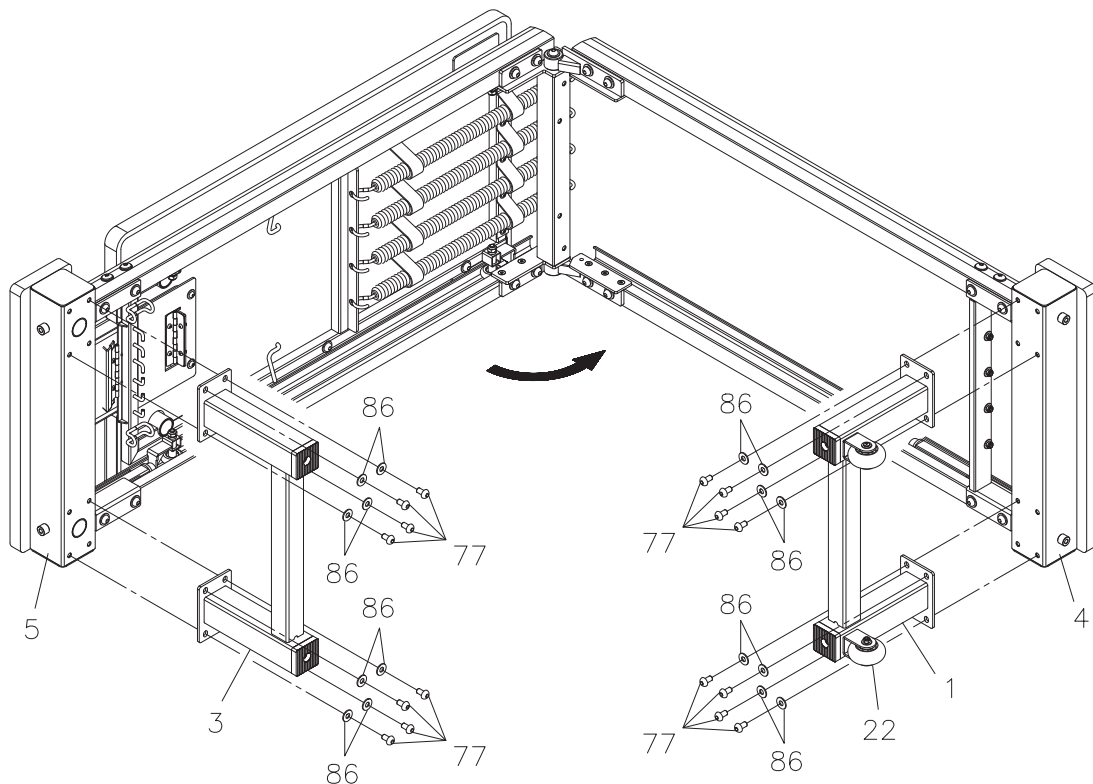
STEP 2

Attach the **FRONT LEG(1)**, the one with **WHEELS(22)**, to the **FRONT BRACE(4)** with **BUTTON HEAD BOLTS(M8x1.25x15mm)(77)** and **WASHERS(M8)(86)**.

STEP 3

Attach the **REAR LEG(3)** to the **REAR BRACE(5)** with **BUTTON HEAD BOLTS(M8x1.25x15mm)(77)** and **WASHERS(M8)(86)**.

⚠ CAUTION Keep hands clear of the hinge when folding and unfolding the unit.



ASSEMBLY INSTRUCTIONS

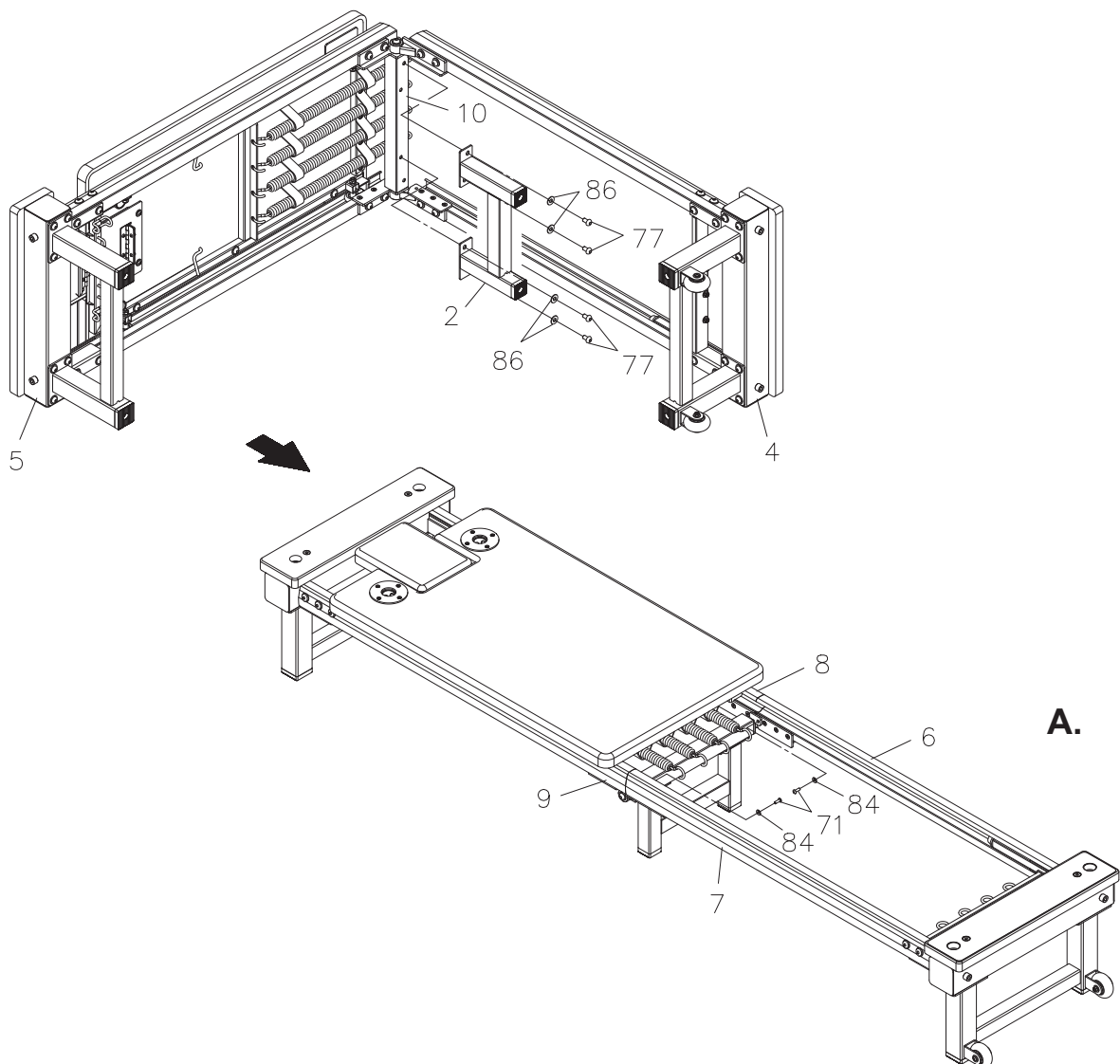
STEP 4

Attach the **MIDDLE LEG(2)** to the **MIDDLE BRACE(10)** with **BUTTON HEAD BOLTS(M8x1.25x15mm)(77)** and **WASHERS(M8)(86)**.

STEP 5

Unfold your **AeroPilates® Precision Series Reformer 610** to a flat position by moving the **FRONT BRACE ASSEMBLY(4)** away from the **REAR BRACE ASSEMBLY(5)** in a counterclockwise position until fully extended. Lower the **AeroPilates® Precision Series Reformer 610** so all six legs are flat on the floor. Refer to illustration A. Bolt **FRONT RIGHT RAIL(7)** and **REAR RIGHT RAIL(9)** together with **BUTTON HEAD BOLTS(M5x0.8x15mm)(71)** and **WASHERS(M5)(84)**. Repeat for left side Rails (6) and (8).

⚠ CAUTION Keep hands clear of the hinge when folding and unfolding the unit.



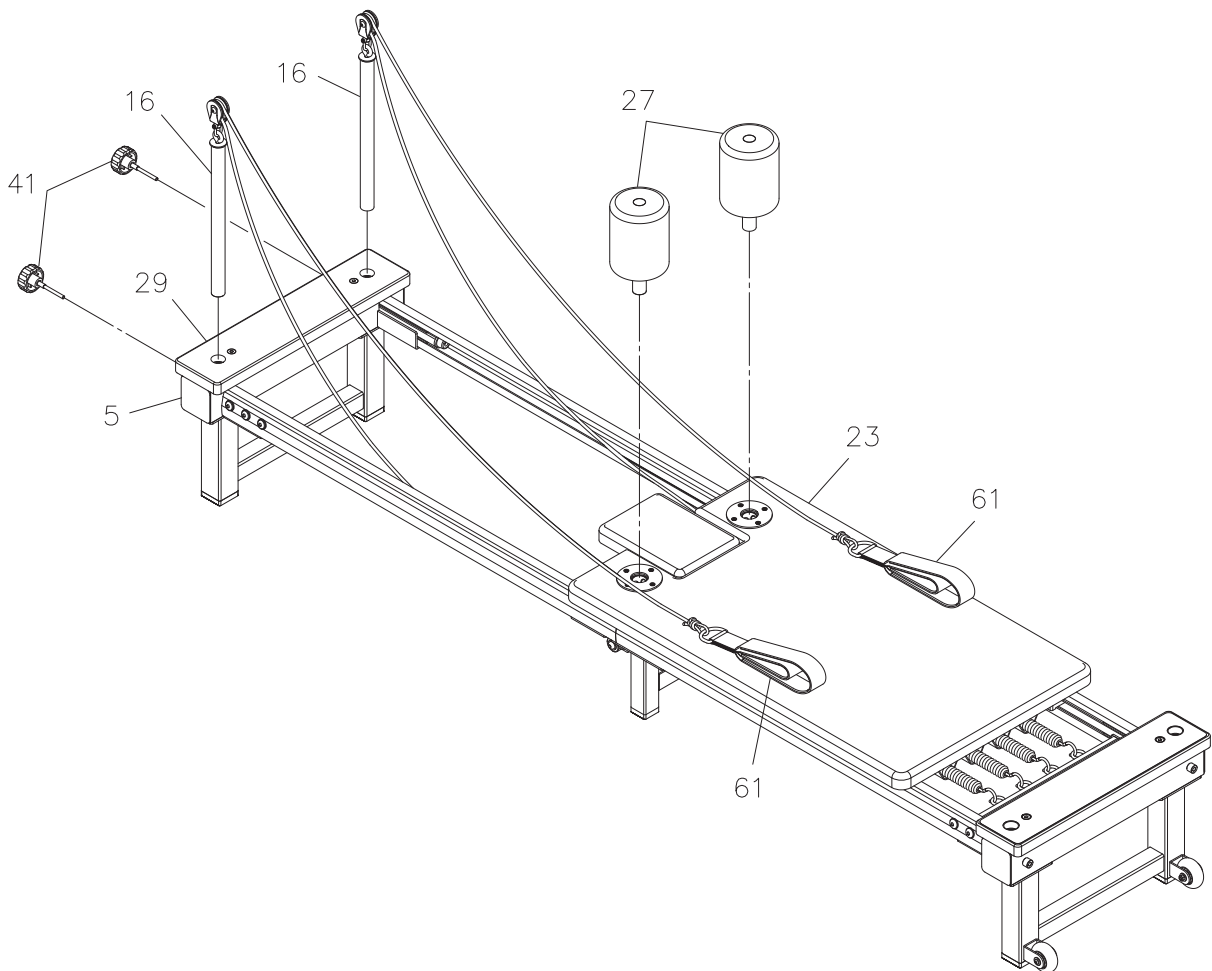
ASSEMBLY INSTRUCTIONS

STEP 6

Insert the **PULLEY RISERS(16)** into the mounting holes in the **REAR WOODEN PLATFORM(29)** and **REAR BRACE(5)**. Insert the **PULLEY RISERS(16)** all the way to the bottom. Align the holes in the **PULLEY RISERS(16)** with the holes in the **REAR BRACE(5)** and secure with the **LOCKING KNOBS(41)**.

STEP 7

Insert the **FOAM PAD ASSEMBLIES(27)** into the holes located on the **CARRIAGE CUSHION(23)**. Place the **HAND/FOOT STRAPS(61)** onto the **FOAM PAD ASSEMBLIES(27)** for storage.

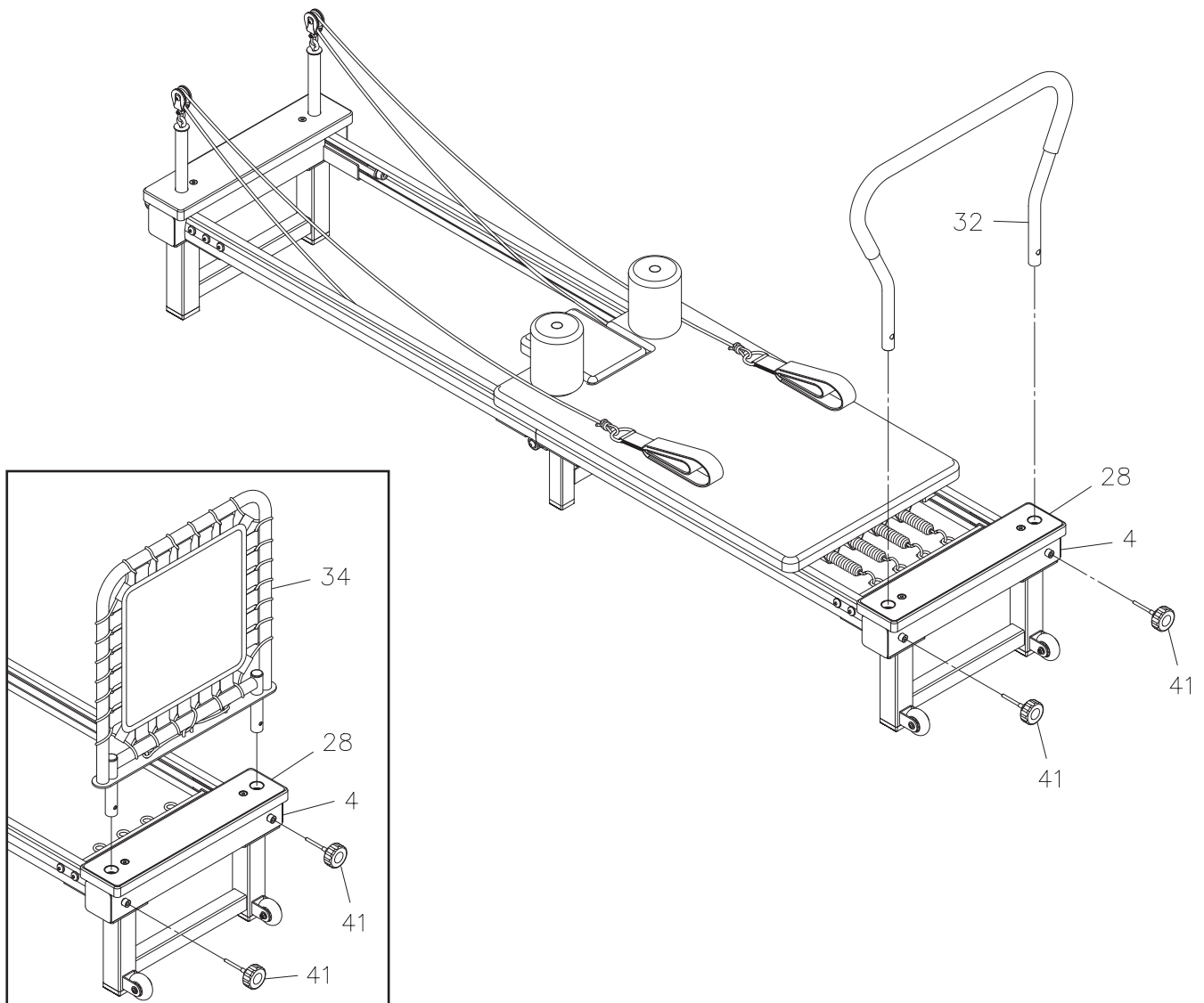


ASSEMBLY INSTRUCTIONS

STEP 8

Make sure that the holes in the **FOOTBAR(32)** are facing toward the end of the **AeroPilates® Precision Series Reformer 610** as shown in the illustration. Insert the **FOOTBAR(32)** into the mounting holes located in the **FRONT WOODEN PLATFORM(28)** and **FRONT BRACE(4)**. Insert the **FOOTBAR(32)** all the way to the bottom and lock it in place with the **LOCKING KNOBS(41)**.

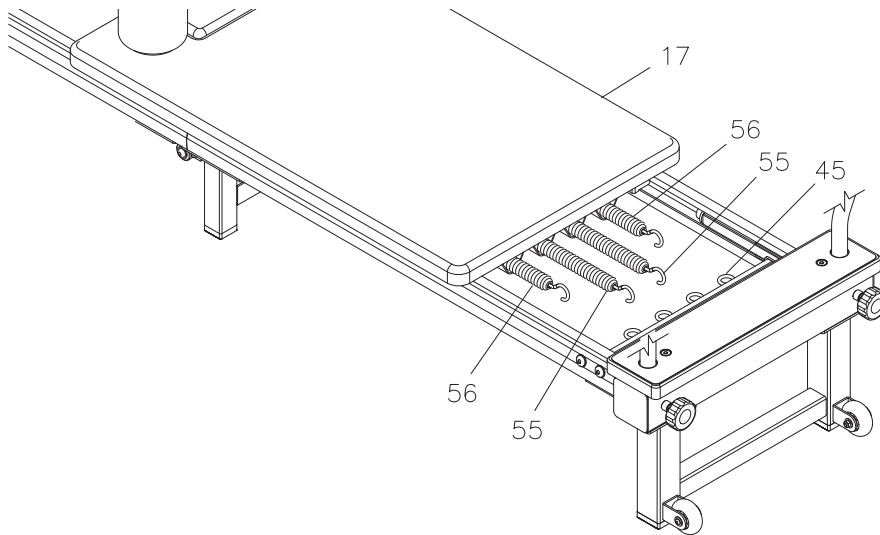
NOTE: You can choose to insert the **CARDIO REBOUNDER(34)** into the **FRONT BRACE(4)** and lock in position with the **LOCKING KNOBS(41)**. Refer to the inset drawing.



OPERATIONAL INSTRUCTIONS

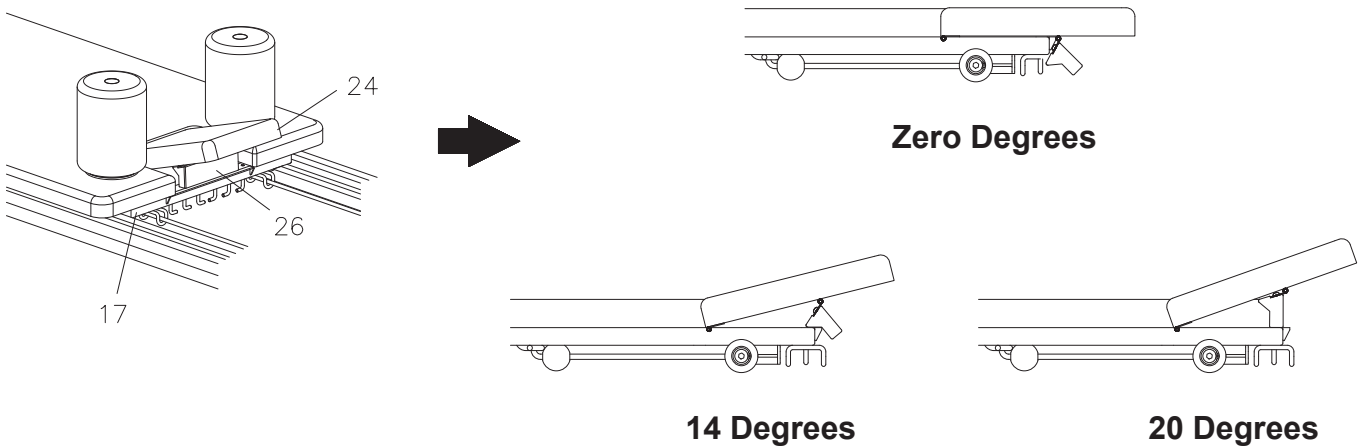
LOAD ADJUSTMENT

The AeroPilates® Precision Series Reformer 610 has four springs: two **HIGH TENSION SPRINGS(55)** identified with yellow bands and two **LOW TENSION SPRINGS(56)** identified with blue bands. The resistance of the **CARRIAGE(17)** can be adjusted by attaching the springs to the **EYEHOOKS(45)**. Springs are easily changed between exercises for an uninterrupted workout. The workout wall chart recommends how many and which springs to use for each exercise.



HEADREST ADJUSTMENT

The **HEADREST(24)** on the **CARRIAGE(17)** can be positioned at three different angles, 0°, 14°, and 20°. Simply pivot the **ANGLE ADJUSTOR(26)** underneath the **HEADREST(24)**.

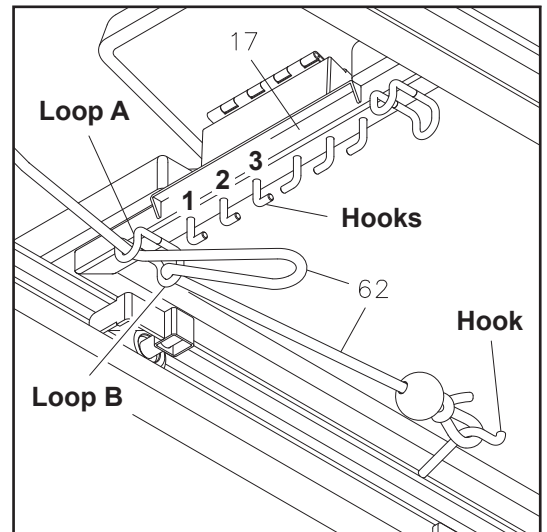


OPERATIONAL INSTRUCTIONS

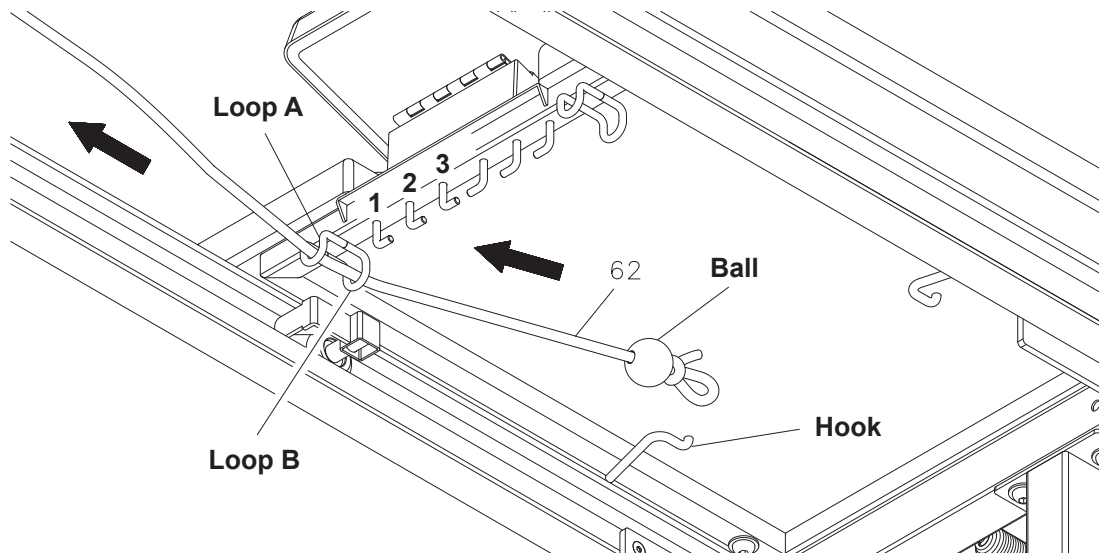
ROPE LENGTH ADJUSTMENT

The **ROPE(62)** feeds through the **PULLEY SET(51)**, **Loop A** and **Loop B**, then hook its ball end on the hook on the underside of the top edge of the **CARRIAGE(17)**.

You can adjust the length between the **PULLEY SET(51)** and the **HAND/FOOT STRAP(61)**. Pull the **ROPE(62)** from the gap between **Loop A** and **Loop B** and hang the **ROPE(62)** onto one of the three hooks.



If more length is needed, unhook the ball end of the **ROPE(62)** from the hook. The ball will stop at **Loop B**, making this rope 8 inches longer. You still pull the **ROPE(62)** from the gap between **Loop A** and **Loop B** and hang the **ROPE(62)** onto one of the three hooks to adjust the length.



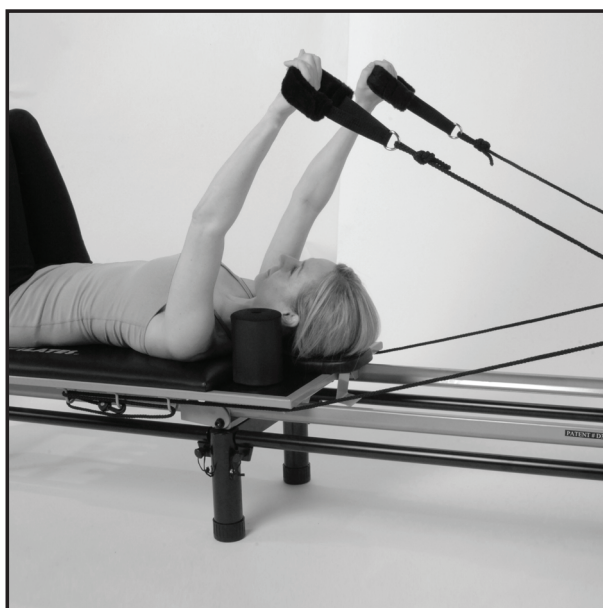
OPERATIONAL INSTRUCTIONS

CUSTOMIZING HAND/FOOT STRAP LENGTH

Ideal hand/foot strap length will vary depending on your height and limb length. To determine your ideal hand/foot strap length, begin by placing the hand/foot straps over the shoulder rests as shown below. Adjust the hand/foot straps so they are taut.



Next, lie on the reformer with your hands in the straps with shoulders against the shoulder rests. Reach your hands toward the ceiling until they are directly over the back edge of the platform as shown in the photo below. In this position, the platform should be at rest with no tension on the ropes. If there is still tension on the ropes in this position, lengthen the ropes. If you lose tension before reaching the arm position shown below, shorten the ropes.

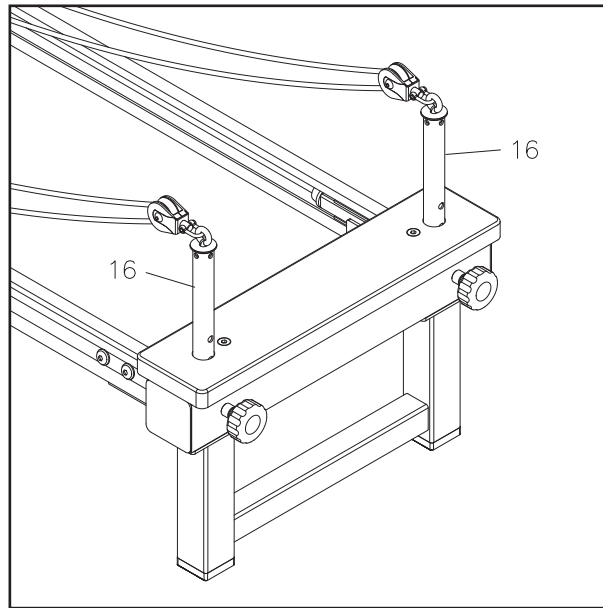


OPERATIONAL INSTRUCTIONS

PULLEY HEIGHT ADJUSTMENT

Standard Setting- the top setting

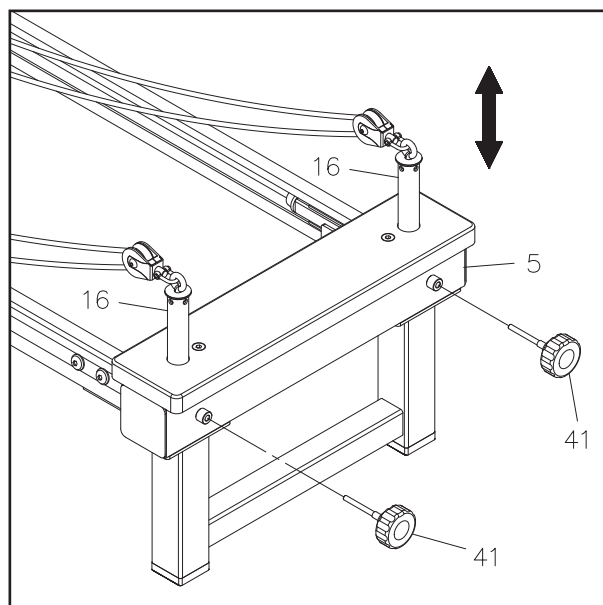
The standard height setting for the reformer pulleys is the top setting. At the top setting, the pull of the ropes provides the most support and feedback for the body. Place your pulleys at the top setting to most easily achieve proper form and to engage the core muscles.



Variable settings- lower settings

You can add variety to your routine by using different pulley settings. The lower you set the pulleys, the less guidance and support you receive from the ropes. By providing less guidance and support, the lower settings further challenge strength and coordination.

There are four adjustment holes in the **PULLEY RISERS(16)**. Remove the **LOCKING KNOBS(41)**. Adjust the **PULLEY RISERS(16)** up or down and lock in desired position with the **LOCKING KNOBS(41)**.



STORAGE

1. To store the **AeroPilates® Precision Series Reformer 610**, simply keep it in a clean dry place.
2. It is recommended that two people be available to move the **AeroPilates® Precision Series Reformer 610**.
3. To move the **AeroPilates® Precision Series Reformer 610**: First, attach one of the **TENSION SPRINGS** to the **EYHOOK(45)** to prevent the **CARRIAGE(17)** from moving. Second, grasp the **REAR BRACE(5)** and lift the unit from the back. Third, roll the **AeroPilates® Precision Series Reformer 610** on the **MOVING WHEELS(22)** that are attached to the **FRONT LEG(1)**.

MAINTENANCE

The safety and integrity designed into the **AeroPilates® Precision Series Reformer 610** can only be maintained when the **AeroPilates® Precision Series Reformer 610** is regularly examined for damage and wear. Special attention should be given to the following:

1. It is the sole responsibility of the user/owner to ensure that regular maintenance is reformed.
2. Worn or damaged components must be replaced immediately or the **AeroPilates® Precision Series Reformer 610** removed from service until repair is made.
3. Verify that the **CAUTION LABEL(52)** is present and legible. Replace the **CAUTION LABEL(52)** if it is missing or damaged.
4. Verify that the **ROPES(62)** are properly installed on the **PULLEY SETS(51)**.
5. Check the condition of the **ROPES(62)** and replace if they are frayed or worn.
6. Check the condition of the **TENSION SPRINGS(55, 56)**. Replace the springs that are damaged.
7. Check the **BUNGEE CORD(36)** on the **CARDIO REBOUNDER(34)** for wear. Replace the **CARDIO REBOUNDER(34)** if the **BUNGEE CORD(36)** is frayed or worn.
8. Check the **PLASTIC SNAP HOOKS(37)** on the ends of the **BUNGEE CORD(36)**. Replace the **CARDIO REBOUNDER(34)** if **PLASTIC SNAP HOOKS(37)** are damaged or deformed.
9. Check the **PULLEY SETS(51)** for excessive wear. Replace worn **PULLEY SETS(51)**.
10. Check the **HAND/FOOT STRAPS(61)** for damage. Replace damaged parts.
11. Check the **FOAM SLEEVE(33)** and **FOAM PADS(27)**. Replace if damaged or worn.
12. Check the **BUMPERS(40)** for looseness or damage and replace any damaged parts.
13. Check the **PLATFORM CUSHION(23)** and replace if it is damaged or worn.
14. Check and clean the **ROLLERS(21)** and the rolling surfaces on the rails. Clean by wiping with a dry cloth.
15. Only Stamina Products supplied components should be used to maintain/repair the **AeroPilates® Precision Series Reformer 610**.
16. Keep your **AeroPilates® Precision Series Reformer 610** clean by wiping with an absorbent cloth after use.

CONDITIONING GUIDELINES

How you begin your exercise program depends on your physical condition. If you have been inactive for several years or are severely overweight, start slowly and increase your workout time gradually. Increase your workout intensity gradually by monitoring your heart rate while you exercise.

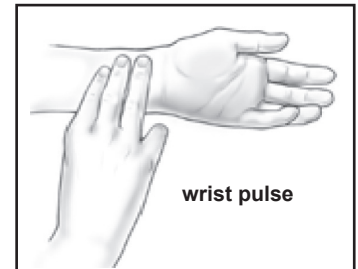
Remember to follow these essentials:

- Have your doctor review your training and diet programs.
- Begin your training program slowly with realistic goals that have been set by you and your physician.
- Warm up before you exercise and cool down after you work out.
- Take your pulse periodically during your workout and strive to stay within a range of 60% (lower intensity) to 90% (higher intensity) of your maximum heart rate zone. Start at the lower intensity, and build up to higher intensity as you become more aerobically fit.
- If you feel dizzy or lightheaded you should slow down or stop exercising.

Initially you may only be able to exercise within your target zone for a few minutes; however, your aerobic capacity will improve over the next six to eight weeks. It is important to pace yourself while you exercise so you don't tire too quickly.

To determine if you are working out at the correct intensity, use a heart rate monitor or use the table below. For effective aerobic exercise, your heart rate should be maintained at a level between 60% and 90% of your maximum heart rate. If just starting an exercise program, work out at the low end of your target heart rate zone. As your aerobic capacity improves, gradually increase the intensity of your workout by increasing your heart rate.

Measure your heart rate periodically during your workout by stopping the exercise but continuing to move your legs or walk around. Place two or three fingers on your wrist and take a six second heartbeat count. Multiply the results by ten to find your heart rate. For example, if your six second heartbeat count is 14, your heart rate is 140 beats per minute. A six second count is used because your heart rate will drop rapidly when you stop exercising. Adjust the intensity of your exercise until your heart rate is at the proper level.



Target Heart Rate Zone Estimated by Age*

Age	Target Heart Rate Zone (55%-90% of Maximum Heart Rate)	Average Maximum Heart Rate 100%
20 years	110-180 beats per minute	200 beats per minute
25 years	107-175 beats per minute	195 beats per minute
30 years	105-171 beats per minute	190 beats per minute
35 years	102-166 beats per minute	185 beats per minute
40 years	99-162 beats per minute	180 beats per minute
45 years	97-157 beats per minute	175 beats per minute
50 years	94-153 beats per minute	170 beats per minute
55 years	91-148 beats per minute	165 beats per minute
60 years	88-144 beats per minute	160 beats per minute
65 years	85-139 beats per minute	155 beats per minute
70 years	83-135 beats per minute	150 beats per minute

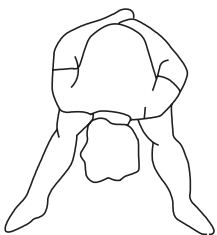
* For cardiorespiratory training benefits, the American College of Sports Medicine recommends working out within a heart rate range of 55% to 90% of maximum heart rate. To predict the maximum heart rate, the following formula was used: $220 - \text{Age} = \text{predicted maximum heart rate}$

WARM-UP and COOL-DOWN

Warm-Up The purpose of warming up is to prepare your body for exercise and to minimize injuries. Warm up for two to five minutes before strength training or aerobic exercising. Perform activities that raise your heart rate and warm the working muscles. Activities may include brisk walking, jogging, jumping jacks, jump rope, and running in place.

Stretching Stretching while your muscles are warm after a proper warm-up and again after your strength or aerobic training session is very important. Muscles stretch more easily at these times because of their elevated temperature, which greatly reduces the risk of injury. Stretches should be held for 15 to 30 seconds. Do not bounce.

Suggested Stretching Exercises



Lower Body Stretch

Place feet shoulder-width apart and lean forward. Keep this position for 30 seconds using the body as a natural weight to stretch the backs of the legs.

DO NOT BOUNCE!

When the pull on the back of the legs lessens, gradually try a lower position.

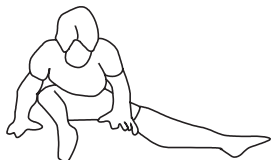


Floor Stretch

While sitting on the floor, open the legs as wide as possible. Stretch the upper body toward the knee on the right leg by using your arms to pull your chest to your thighs. Hold this stretch 10 to 30 seconds.

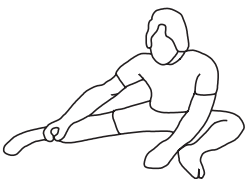
DO NOT BOUNCE!

Do this stretch 10 times. Repeat the stretch with the left leg.



Bent Torso Pulls

While sitting on the floor, have legs apart, one leg straight and one knee bent. Pull the chest down to touch the thigh on the leg that is bent, and twist at the waist. Hold this position at least 10 seconds. Repeat 10 times on each side.



Bent Over Leg Stretch

Stand with feet shoulder-width apart and lean forward as illustrated. Using the arms, **gently** pull the upper body towards the right leg. Let the head hang down. **DO NOT BOUNCE!**

Hold the position a minimum of 10 seconds. Repeat pulling the upper body to the left leg. Do this stretch several times slowly.

Remember to always check with your physician before starting any exercise program.

Cool-Down The purpose of cooling down is to return the body to its normal, or near normal, resting state at the end of each exercise session. A proper cool-down slowly lowers your heart rate and allows blood to return to the heart. Your cool-down should include the stretches listed above and should be completed after each strength training session.

LIMITED WARRANTY

MODEL 55-5610

WARRANTY

Stamina Products, Inc. ("Stamina") warrants to the original purchaser that this product will be free from defects in materials and workmanship that arise under normal use, service, proper assembly and proper operation in accordance with product warnings/instructions for a period of 90 days on the parts and five years on the frame from the date of the original purchase from an authorized retailer. **THIS WARRANTY SHALL NOT APPLY TO ANY PRODUCT WHICH HAS BEEN SUBJECT TO COMMERCIAL USE, ABUSE, MISUSE, ALTERATION OF ANY KIND OR TO ANY DEFECT OR CHANGE CAUSED BY IMPROPER ASSEMBLY, REPAIR, REPLACEMENT, SUBSTITUTION OR USE WITH PARTS NOT PROVIDED BY STAMINA.** Commercial use includes use of product in athletic clubs, health clubs, spas, gyms, and all other public or semipublic facilities whether or not the product's use is in furtherance of a profit making enterprise, and all other use which is not for personal purposes.

To implement this limited warranty, send a written notice stating your name, date, and place of purchase and a brief description of the defect along with your receipt to Stamina Products, Inc. P.O. Box 1071, Springfield Missouri, USA, 65801-1071, or email us at customer.care@staminaproducts.com, or call us at 1-800-375-7520. If the defect is covered under this limited warranty, you will be requested to return the product or part to us for free repair or replacement at our option.

NO ACTION FOR BREACH OF THIS LIMITED WARRANTY MAY BE COMMENCED MORE THAN ONE (1) YEAR AFTER THE DATE THE ALLEGED BREACH WAS OR SHOULD HAVE BEEN DISCOVERED. NO ACTION FOR BREACH OF ANY IMPLIED WARRANTY (INCLUDING MERCHANTABILITY AND FITNESS FOR A PARTICULAR PURPOSE) MAY BE COMMENCED MORE THAN ONE (1) YEAR AFTER DELIVERY OF THE PRODUCT TO THE PURCHASER. These warranties are not transferable. IF ANY PART OF THE PRODUCT IS NOT IN COMPLIANCE WITH THIS LIMITED WARRANTY OR ANY IMPLIED WARRANTY, THE REMEDY OF REPAIR OR REPLACEMENT IS THE EXCLUSIVE REMEDY. If any claim is made under this limited warranty or any implied warranty, Stamina reserves the right to require the product to be returned for inspection, at the purchaser's expense, to Stamina's premises in Springfield, Missouri. Return of the enclosed warranty registration card is not required for warranty coverage, but is merely a way of establishing the date and place of purchase.

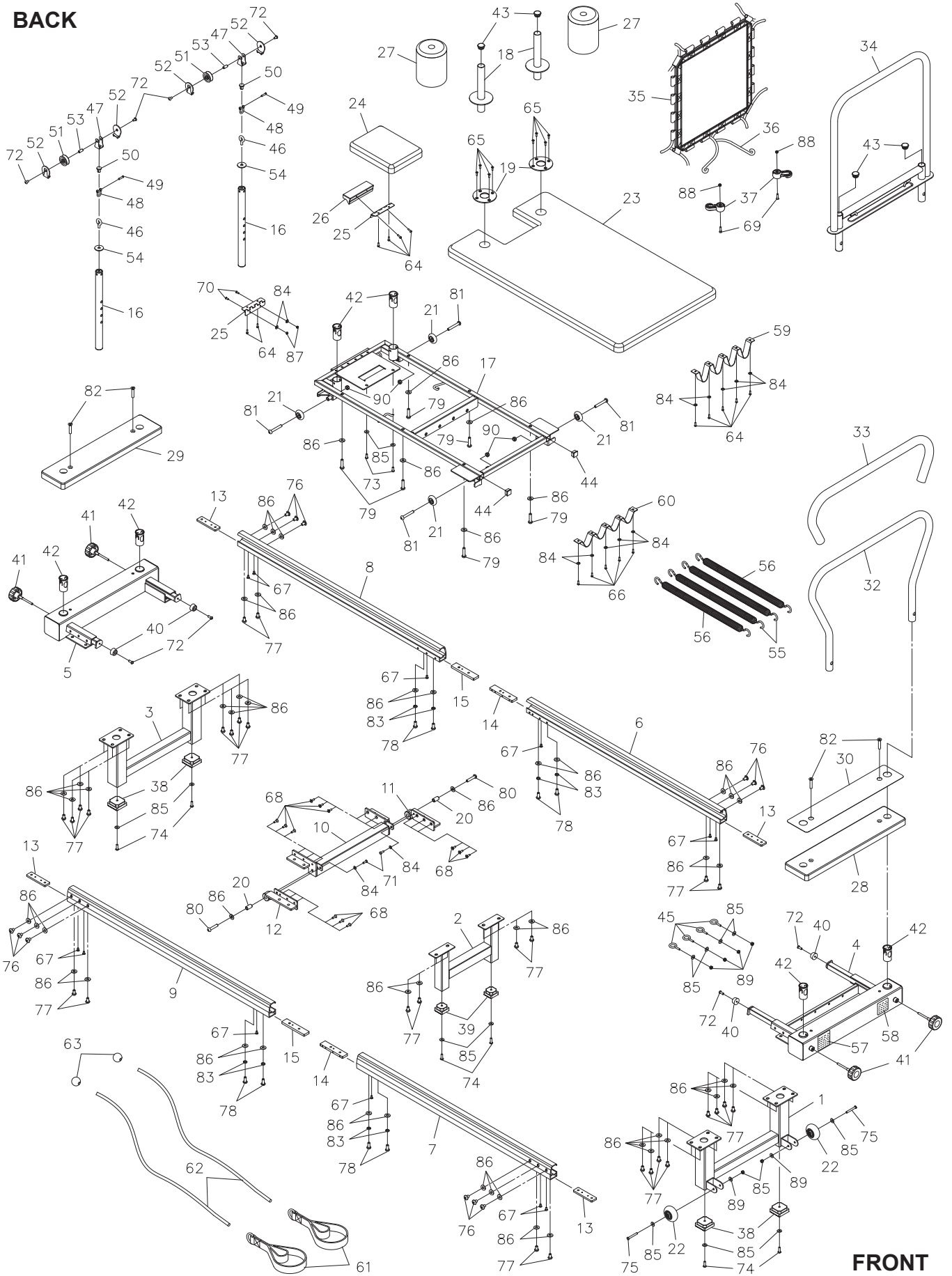
Stamina **SHALL NOT BE LIABLE FOR THE LOSS OF USE OF ANY PRODUCT, LOSS OF TIME, INCONVENIENCE, COMMERCIAL LOSS OR ANY OTHER INDIRECT, CONSEQUENTIAL, SPECIAL OR INCIDENTAL DAMAGES DUE TO BREACH OF THE ABOVE WARRANTY OR ANY IMPLIED WARRANTY.**

THIS LIMITED WARRANTY IS THE ONLY EXPRESS WARRANTY. NO ORAL OR WRITTEN INFORMATION GIVEN BY STAMINA, ITS AGENTS OR EMPLOYEES, SHALL CREATE A WARRANTY OR IN ANY WAY INCREASE THE SCOPE OF THIS WARRANTY. This warranty gives you specific legal rights, and you may also have other legal rights which vary from state to state. **ANY OTHER RIGHT WHICH YOU MAY HAVE, INCLUDING ANY IMPLIED WARRANTY OF MERCHANTABILITY OR FITNESS FOR A PARTICULAR PURPOSE, IS LIMITED IN DURATION TO THE DURATION OF THIS WARRANTY.**

The laws in some states affect the disclaimer or limitation of implied warranties and consequential and incidental damages. If any such law is found applicable, the foregoing disclaimers and limitations of and on implied warranties and consequential and incidental damages shall be deemed to be modified to the extent necessary to comply with applicable law.

PRODUCT PARTS DRAWING

BACK



FRONT

PARTS LIST

PART#	PART NAME	QTY
1	Front Leg	1
2	Middle Leg	1
3	Rear Leg	1
4	Front Brace	1
5	Rear Brace	1
6	Front Left Rail	1
7	Front Right Rail	1
8	Rear Left Rail	1
9	Rear Right Rail	1
10	Middle Brace	1
11	Left Hinge	1
12	Right Hinge	1
13	End Support Plate	4
14	Front Middle Support Plate	2
15	Rear Middle Support Plate	2
16	Pulley Riser	2
17	Carriage	1
18	Foam Pad Tube	2
19	Foam Pad Support Plate	2
20	Hinge Spacer (ø12.7 x ø8.3 x 22.5mm)	2
21	Roller	4
22	Moving Wheel	2
23	Platform Cushion	1
24	Headrest	1
25	Hinge	2
26	Angle Adjustor	1
27	Foam Pad	2
28	Front Wooden Platform	1
29	Rear Wooden Platform	1
30	Non-skid Pad	1
31	Workout Chart	1
32	Footbar	1
33	Foam Sleeve	1
34	Cardio Rebounder	1
35	Cardio Rebounder Mat	1
36	Bungee Cord	1
37	Plastic Snap Hook	2
38	Foot Stand	4
39	Middle Foot Stand	2
40	Bumper	4
41	Locking Knob	4
42	Bushing	6
43	Round Plug (25.4mm)	4
44	Square Plug (20 x 20mm)	2
45	Eyehook	4
46	Pulley Riser Eyehook	2
47	Pulley Bracket	2
48	U-shaped Connector	2

PARTS LIST

PART#	PART NAME	QTY
49	Connector Bolt (M5 x 0.8 x 22.2mm)	2
50	Connector Shaft	2
51	Pulley	2
52	Pulley Bracket Cover	4
53	Pulley Spacer	2
54	Large Washer (ø32 x ø8.7 x 2mm)	2
55	High Tension Spring, Yellow Marked	2
56	Low Tension Spring, Blue Marked	2
57	Caution Label	1
58	Serial Decal	1
59	Rear Spring Strap	1
60	Front Spring Strap	1
61	Hand Strap	2
62	Rope	2
63	Ball	2
64	Screw, Round Head (M4 x 15mm)	11
65	Screw, Flat Head (M4 x 15mm)	8
66	Screw, Round Washer Head (M4 x 15mm)	5
67	Bolt, Flat Socket Head (M5x0.8x10mm, with threadlocker)	12
68	Bolt, Flat Socket Head (M5x0.8x15mm, with threadlocker)	12
69	Screw, Round Head (M5 x 0.8 x 22mm)	2
70	Bolt, Button Head (M4 x 0.7 x 12mm)	2
71	Bolt, Button Head (M5 x 0.8 x 15mm)	2
72	Bolt, Button Head (M6 x 1 x 10mm)	8
73	Bolt, Button Head (M6 x 1 x 15mm, with threadlocker)	2
74	Bolt, Button Head (M6 x 1 x 20mm)	6
75	Bolt, Button Head (M6 x 1 x 45mm, with threadlocker)	2
76	Bolt, Button Head (M8 x 1.25 x 12mm, with threadlocker)	12
77	Bolt, Button Head (M8 x 1.25 x 15mm, with threadlocker)	28
78	Bolt, Button Head (M8 x 1.25 x 20mm, with threadlocker)	8
79	Bolt, Button Head (M8 x 1.25 x 35mm, with threadlocker)	6
80	Bolt, Button Head (M8 x 1.25 x 40mm)	2
81	Bolt, Button Head (M8 x 1.25 x 55mm)	4
82	Bolt, Flat Socket Head (M8 x 1.25 x 40mm)	4
83	Lock Washer (M8)	8
84	Washer (M5)	14
85	Washer (M6)	16
86	Washer (M8)	56
87	Nylock Nut (M4 x 0.7)	2
88	Nylock Nut (M5 x 0.8)	2
89	Nylock Nut (M6 x 1)	6
90	Nylock Nut (M8 x 1.25)	4
91	Allen Wrench(3mm)	1
92	Allen Wrench(6mm)	1
93	Manual	1

TO CONTACT CUSTOMER CARE

For your convenience, Stamina's customer care representatives can be reached by email at customer.care@staminaproducts.com or by phone at 1-800-375-7520 (in the U.S.). Our customer care representatives are available Monday through Thursday from 7:30 a.m. until 5:00 p.m., and Friday 8:00 a.m. until 3 p.m. Central Time.



**ONLINE
CUSTOMER CARE**
customer.care@staminaproducts.com
www.staminaproducts.com



**TELEPHONE
CUSTOMER CARE**
Tel: 1 (800) 375-7520



**FAX
CUSTOMER CARE**
Fax: (417) 889-8064



MAIL
STAMINA PRODUCTS, INC.
ATTN: Customer Care
P.O. Box 1071 Springfield, MO. 65801-1071

Would you like to receive email information or special offers from Stamina Products? Register at contact.staminaproducts.com

TO REGISTER YOUR PRODUCT

To enact your warranty, please register your product by going to register.staminaproducts.com. Please have your product model number (printed on the cover of this owner's manual) and the serial number (printed on the black and white sticker on your product) ready.

If you don't have internet access, you can call customer care at 1-800-375-7520, or fill out and mail the product registration form below to Stamina Products, Inc.; P.O. Box 1071; Springfield, MO 65801-1071.

PRODUCT REGISTRATION FORM	Stamina Products, Inc. P.O. Box 1071 Springfield, MO 65801-1071
Model Number:	Serial Number:
Product Name:	
Place Purchased:	
Date of Purchase:	Purchase Price:
First Name:	Last Name:
City:	State: Zip Code:
Email Address:	Phone #: ()
Would you like to receive email information or special offers from Stamina Products?* <input type="checkbox"/> Yes <input type="checkbox"/> No *If yes, be sure your email address is included above.	



Detach and Mail or Fax the Form Above



TO ORDER PARTS

If there are missing or damaged parts, you can go to parts.staminaproducts.com and order those parts. If you have questions, please contact customer care. Do not return the product. To order parts by mail, fill out the sheet below and fax it to 417-889-8064. The part will be mailed to your address.



Detach and Mail or Fax the Form Below



PARTS ORDER FORM	Stamina Products, Inc. P.O. Box 1071 Springfield, MO 65801-1071
Mr./Ms:	
Address: Apt. #:	
City: State: Zip Code:	
IMPORTANT : We must have your phone number to process the order!	
Phone #: () Work Phone #: ()	
Date of Purchase:	
Model #:	
Purchased From:	

**IMPORTANT : Before filling out the form below make sure you have the correct information.
Refer to the parts list to make sure you're ordering the right parts!**

PART #	DESCRIPTION	QUANTITY
EXAMPLE: 1	Rear Unit Assembly	1