

STUDIO BARRE

SAFETY INSTRUCTIONS

⚠ WARNING This product contains a chemical known to the State of California to cause cancer and birth defects or other reproductive harm.

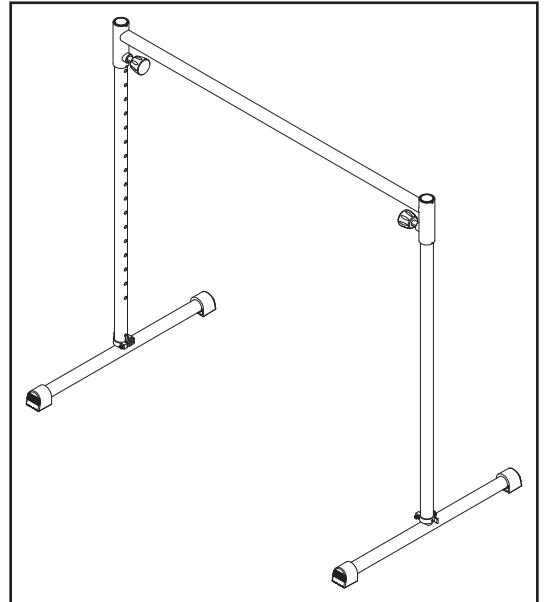
⚠ WARNING Consult your physician before starting this or any exercise program. This is especially important if you are over the age of 35, have never exercised before, are pregnant, or suffer from any health problem. This product is for home use only. Do not use in institutional or commercial applications.

Failure to follow all warnings and instructions could result in serious injury or death.

⚠ CAUTION The Studio Barre is NOT intended to support the full body weight of the user. Do not apply entire body weight to the Studio Barre. Failure to follow all warnings and instructions could result in bodily injury and/or property damage.

⚠ WARNING To reduce the risk of serious injury, read the following Safety Instructions before using the Studio Barre.

1. Save these instructions and ensure that other exercisers read this manual prior to using the **Studio Barre** for the first time.
2. Read all warnings and cautions posted on the **Studio Barre**.
3. The **Studio Barre** should only be used after a thorough review of the Owner's Manual. Make sure that it is properly assembled and tightened before use.
4. We recommend that two people be available for assembly of this product.
5. Keep children away from the **Studio Barre**. Do not allow children to use or play on the **Studio Barre**. Keep children and pets away from the **Studio Barre** when it is in use.
6. It is recommended that you place this exercise equipment on an equipment mat.
7. Set up and operate the **Studio Barre** on a solid level surface. Do not position the **Studio Barre** on loose rugs or uneven surfaces.
8. Make sure that adequate space is available for access to and around the **Studio Barre**.
9. Before using, inspect the **Studio Barre** for worn or loose components, and securely tighten or replace any worn or loose components prior to use.
10. Use the **Studio Barre** at a height comfortable to your practice. Using the **Studio Barre** at a height beyond your comfort level and experience level could cause the product to tip or fall.
11. Always make sure that the Crossing Barre(3) is adjusted to the same height with Spring Pins(6) in parallel holes in Uprights(2).
12. Consult a physician prior to commencing an exercise program and follow his/her recommendations in developing your fitness program. If at any time during exercise you feel faint, dizzy, or experience pain, stop and consult your physician.
13. Always choose the workout which best fits your physical strength and flexibility level. Know your limits and train within them. Always use common sense when exercising.
14. Do not wear loose or dangling clothing while using the **Studio Barre**.
15. Never exercise in bare feet or socks; always wear proper footwear such as running, walking, or cross training shoes that fit well, provide foot support, and feature non-skid rubber soles.
16. Be careful to maintain your balance while using, mounting, dismounting, or assembling the **Studio Barre**, loss of balance may result in a fall and bodily injury.
17. The **Studio Barre** should be used by only one person at a time.
18. The **Studio Barre** is for consumer use only. It is not for use in public or semipublic facilities.



This Product is Distributed Exclusively by



2040 N. Alliance, Springfield, MO 65803

Customer Care

1 (800) 375-7520

customer.care@staminaproducts.com

www.staminaproducts.com

When calling for parts or service, please specify the following number:

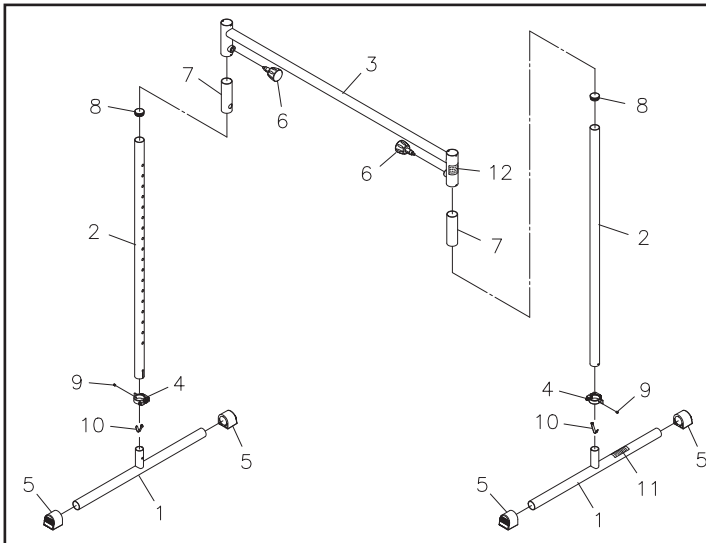
Model# 20-1098,
20-1099, 20-1099R

MADE IN CHINA

© 2013 Stamina Products, Inc.

2017, 06

Product Parts Drawing and Parts List



Part #	Part Name	Qty
1	Base Frame	2
2	Upright	2
3	Crossing Barre	1
4	Quick Release	2
5	Endcap (38mm)	4
6	Spring Pin	2
7	Bushing	2
8	Round Plug	2
9	Set Screw (M4 x 0.7 x 4mm)	2
10	Button Pin	2
11	Caution Label	1
12	Caution Decal	1
13	Studio Barre DVD	1
14	Carry Bag	1

Assembly of The Studio Barre

STEP 1

Refer to illustration A. Loosen the **QUICK RELEASE(4)**. Insert the **BASE FRAME(1)** into the **UPRIGHT(2)** until the **BUTTON PIN(10)** gets into the hole in the bottom end of the **UPRIGHT(2)**. Tighten the **QUICK RELEASE(4)** to lock the **BASE FRAME(1)** in position securely. Repeat on other side.

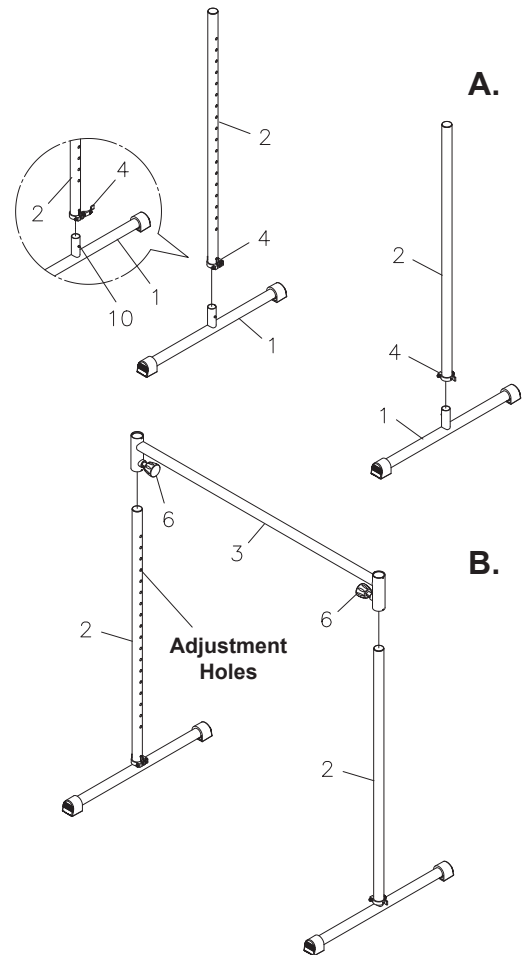
STEP 2

Refer to illustration B. Pull the **SPRING PIN(6)** then insert an **UPRIGHT(2)** through the **CROSSING BARRE(3)**. Release the **SPRING PIN(6)** so it catches in one of the adjustment holes and locks the **UPRIGHT(2)** in place. Tighten the **SPRING PIN(6)** to lock the **UPRIGHT(2)** in place securely. Repeat on other side and position the **CROSSING BARRE(3)** at the same height as other side.

Crossing Barre Adjustment

To adjust the height of the **CROSSING BARRE(3)**, turn the **SPRING PINS(6)** counter clockwise until the knob portion can be pulled. Pull both **SPRING PINS(6)** at the same time and slide the **CROSSING BARRE(3)** up or down to adjust. Release the **SPRING PINS(6)** to lock the **CROSSING BARRE(3)** in the desired adjustment holes. Rotate the **SPRING PINS(6)** clockwise to lock the **CROSSING BARRE(3)** securely.

NOTE: Always make sure that the **CROSSING BARRE(3)** is adjusted at the same height.



LIMITED WARRANTY

This product is warranted to be free from defects in material and workmanship and to be in perfect working order at the time of purchase. This warranty applies to personal, family or household use. This warranty does not apply to use in athletic clubs, health clubs, spas, gymnasiums, exercise facilities, and other public or semipublic facilities.

If the product should, for any reason, become defective for a period of 90 days on the parts and one year on the frame from the date of the purchase, the manufacturer will replace the product once it is returned to the manufacturer. This warranty does not apply to any damage caused by accident, return transit, improper assembly, alteration, abuse, or misuse. There are no other warranties other than those expressly set forth herein.

Products shipped to the manufacturer must be in the original shipping carton with freight prepaid. All expenses for repairing or replacing the product, including the cost of shipping it back to the original purchaser, will be covered by the manufacturer. This warranty gives you specific legal rights, and you may have other rights which vary from state to state.