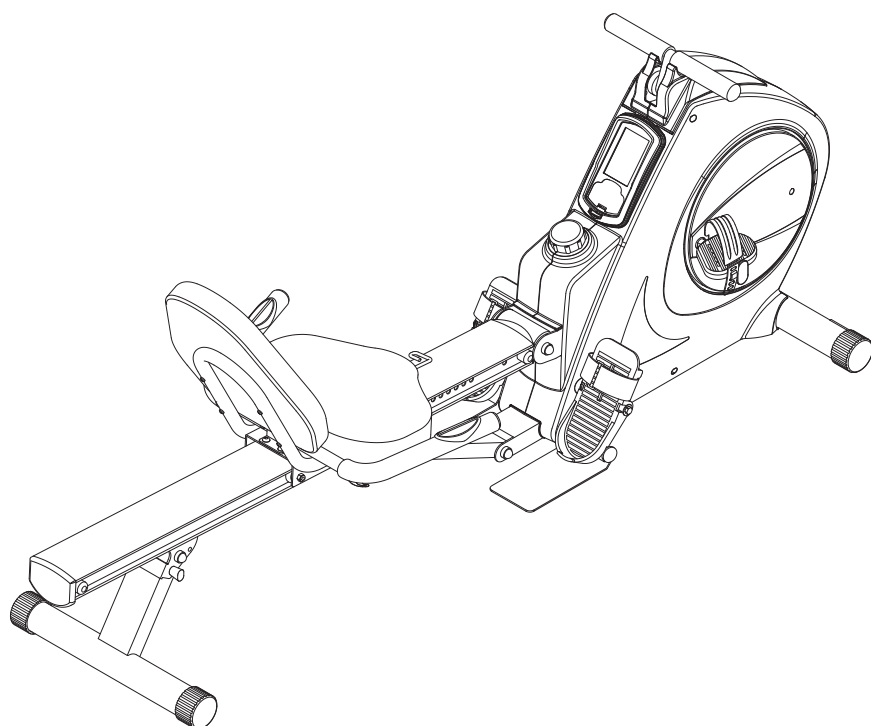


STAMINA[®]

CONVERSION II

RECUMBENT BIKE / ROWER

Owner's Manual



Product May Vary Slightly From Pictured.

CAUTION:

Weight on this product should not exceed 250 lbs.

▲ WARNING

Exercise can present a health risk. Consult a physician before beginning any exercise program with this equipment. If you feel faint or dizzy, immediately discontinue use of this equipment. Serious bodily injury can occur if this equipment is not assembled and used correctly. Serious bodily injury can also occur if all instructions are not followed. Keep others and pets away from equipment when in use. Always make sure all bolts and nuts are securely tightened prior to each use. Follow all safety instructions in this manual.

When calling for parts or service, please specify the following numbers:

Model#: 15-9011A

S/N: _____

This Product is Distributed Exclusively by



2040 N Alliance Ave, Springfield, MO 65803

Customer Care

1 (800) 375-7520

www.staminaproducts.com

STAMINA PRODUCTS
MADE IN TAIWAN

© 2021 Stamina Products, Inc.
2021, 03

müüv

Quickstart Guide

IMPORTANT

Smart Audio Workouts for Your Bike/Rower



Go to the App Store on your device or scan the QR Code for quick access.



Download the app and get moving!

Assembly video included in app.

TABLE OF CONTENTS

Safety Instructions	3	Storage	18
Before You Begin	5	Conditioning Guidelines	19
Equipment Warning, Caution & Notice Labels ...	6	Warm-Up and Cool-Down	20
Hardware Identification Chart	7	Warranty	21
Assembly Instructions	8	Product Parts Drawing	22
Set Up Instructions	12	Parts List	23
Operational Instructions	13	Notes	26
Maintenance	17	Fax/Mail Ordering Form	27

SAFETY INSTRUCTIONS

⚠ WARNING Cancer and Reproductive Harm www.P65Warnings.ca.gov

⚠ WARNING Consult your physician before starting this or any exercise program. This is especially important if you are over the age of 35, have never exercised before, are pregnant, or suffer from any health problem. This product is for home use only. Do not use in institutional or commercial applications. Failure to follow all warnings and instructions could result in serious injury or death.

⚠ WARNING To reduce the risk of serious injury, read the following Safety Instructions before using the Stamina® Conversion II Recumbent Bike/Rower.

1. Save these instructions and ensure that other exercisers read this manual prior to using the **Stamina® Conversion II Recumbent Bike/Rower** for the first time.
2. Read all warnings and cautions posted on the **Stamina® Conversion II Recumbent Bike/Rower**.
3. The **Stamina® Conversion II Recumbent Bike/Rower** should only be used after a thorough review of the Owner's Manual. Make sure that it is properly assembled and tightened before use.
4. We recommend that two people be available for assembly of this product.
5. Keep children away from the **Stamina® Conversion II Recumbent Bike/Rower**. Do not allow children to use or play on the **Stamina® Conversion II Recumbent Bike/Rower**. Keep children and pets away from the **Stamina® Conversion II Recumbent Bike/Rower** when it is in use.
6. It is recommended that you place this exercise equipment on an equipment mat.
7. Set up and operate the **Stamina® Conversion II Recumbent Bike/Rower** on a solid level surface. Do not position the **Stamina® Conversion II Recumbent Bike/Rower** on loose rugs or uneven surfaces.
8. Make sure that adequate space is available for access to and around the **Stamina® Conversion II Recumbent Bike/Rower**.
9. Make sure the Rear Support(62) is locked properly with the Pull Pin(63) before using the **Stamina® Conversion II Recumbent Bike/Rower**.
10. Make sure the Rail(52) is locked properly by the Release Knob(59) located on the Support Tube(56) when in storage.
11. Keep fingers clear of all pinch points when folding and unfolding the **Stamina® Conversion II Recumbent Bike/Rower**.
12. Lock seat in position with at least one adjustment hole visible in front of the seat before lifting rail to storage position. This will prevent the seat from damaging the covers.
13. Before using, inspect the **Stamina® Conversion II Recumbent Bike/Rower** for worn or loose components, and securely tighten or replace any worn or loose components prior to use.
14. Each user should adjust the seat per instructions on page 12.
15. Do not attempt to adjust the seat while you are on the **Stamina® Conversion II Recumbent Bike/Rower**.
16. Consult a physician prior to commencing an exercise program and follow his/her recommendations in developing your fitness program. If at any time during exercise you feel faint, dizzy, or experience pain, stop and consult your physician.
17. Always choose the workout which best fits your physical strength and flexibility level. Know your limits and train within them. Always use common sense when exercising.
18. Do not wear loose or dangling clothing while using the **Stamina® Conversion II Recumbent Bike/Rower**.
19. Never exercise in bare feet or socks; always wear proper footwear such as running, walking, or cross training shoes that fit well, provide foot support, and feature non-skid rubber soles.
20. Be careful to maintain your balance while using, mounting, dismounting, or assembling the **Stamina® Conversion II Recumbent Bike/Rower**, loss of balance may result in a fall and bodily injury.
21. The **Stamina® Conversion II Recumbent Bike/Rower** should not be used by persons weighing over 250 pounds.
22. The **Stamina® Conversion II Recumbent Bike/Rower** should be used by only one person at a time.
23. The **Stamina® Conversion II Recumbent Bike/Rower** is for consumer use only. It is not for use in public or semipublic facilities.

EXTEND YOUR PARTS WARRANTY TO 180 DAYS FROM THE DATE OF PURCHASE. REGISTER YOUR PRODUCT.



**NEED HELP?
CONTACT US FIRST
1 (800) 375-7520
customer.care@staminaproducts.com**

Hi! From all of us here at Stamina Products, thank you for your purchase. We know that you have big fitness goals in mind and we are here to help you along. Call us, email us, or send us a message on Facebook. Be sure to contact us if you have any questions on your new product. We look forward to hearing from you!

With your body in mind,
Stamina Customer Care

To enact your extended warranty and to help us better serve you, please go online and register your new product.

register.staminaproducts.com

It is quick and easy to register online, but if you're a little old school or just need a reason to raise that little flag on your mailbox, fill out the info on the last page of this manual and mail it in.



ONLINE

customer.care@staminaproducts.com
www.staminaproducts.com



TELEPHONE

1 (800) 375-7520



FAX

(417) 889-8064



MAIL

Stamina Products, Inc.
ATTN: Customer Care
2040 N Alliance Ave
Springfield, MO 65803

 facebook.com/StaminaProducts
facebook.com/AeroPilates

CUSTOMER CARE HOURS:
Monday-Thursday, 7:30 AM-5:00 PM, Central Time
Friday, 8:00 AM-3:00 PM, Central Time

BEFORE YOU BEGIN

Thank you for choosing the **Stamina® Conversion II Recumbent Bike/Rower**. We take great pride in this quality product and hope it will provide many hours of quality exercise to make you feel better, look better, and enjoy life to its fullest.

It's a proven fact that a regular exercise program can improve your physical and mental health. Too often, our busy lifestyles limit our time and opportunity to exercise. The **Stamina® Conversion II Recumbent Bike/Rower** provides a convenient and simple method to begin your journey of getting your body in shape and achieving a happier and healthier lifestyle.

Before reading further, please review the drawing below and familiarize yourself with the parts that are labeled. Locate the serial decal on the product and write the serial number on the cover of the manual in the space provided. See the next page for an image of the serial decal. Model number and serial number are required when calling for

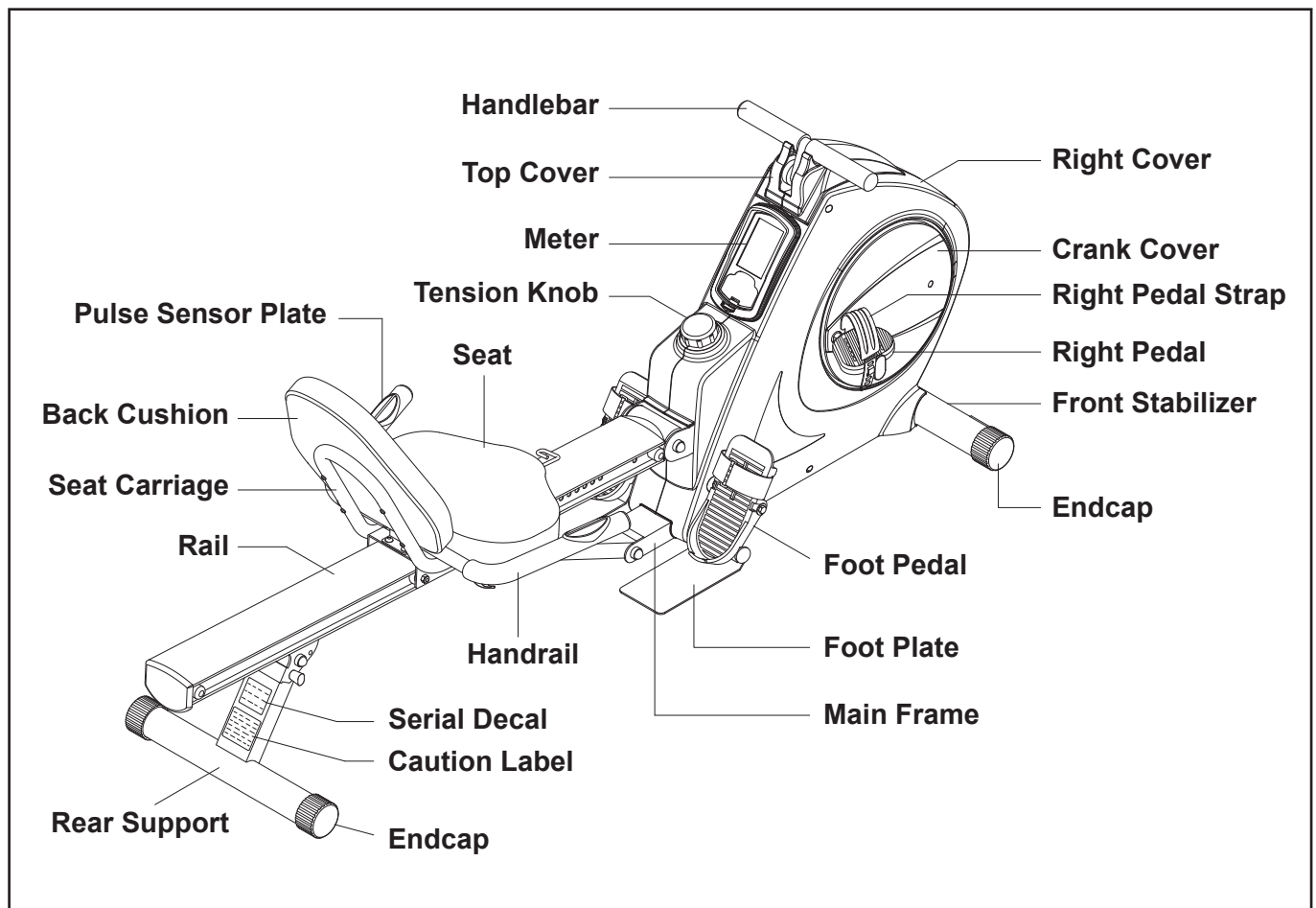
assistance.

Read this manual carefully before using the **Stamina® Conversion II Recumbent Bike/Rower**.

Providing you with a quality product is Stamina's top priority. However, sometimes there could be a missing or incorrectly sized part. If you have any questions or problems with the parts included with your **Stamina® Conversion II Recumbent Bike/Rower**, please do not return the product. Contact us FIRST!

If a part is missing or defective, please contact Customer Care for assistance. Call us toll free at 1-800-375-7520 (in the U.S.) or live chat on staminaproducts.com. Our Customer Care Staff is available to assist you from 7:30 A.M. to 5:00 P.M. (Central Time) Monday through Thursday and 8:00 A.M. to 3:00 P.M. (Central Time) on Friday.

Be sure to have the name and model number of the product available when you contact us.



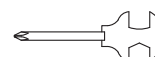
THE FOLLOWING TOOLS ARE INCLUDED FOR ASSEMBLY :



Wrench (17mm)



Allen Wrench (6mm)



Combination Wrench

EQUIPMENT WARNING, CAUTION & NOTICE LABELS

This chart is provided to help identify the warning, caution, and notice labels on the **Stamina® Conversion II Recumbent Bike/Rower**. Please take a moment to familiarize yourself with all of the warning, caution, and notice labels.

CAUTION LABEL(129)



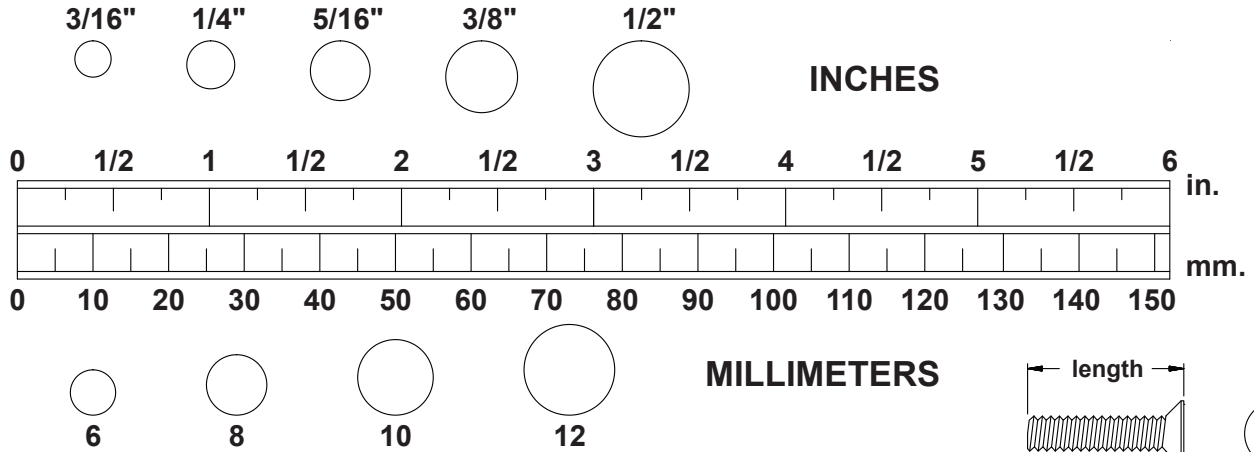
SERIAL DECAL(130)



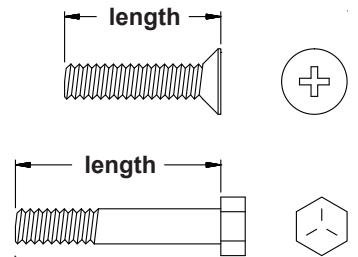
To best serve you, our Customer Care Representatives will need your serial number. For quick access, write in your serial number on the cover of the manual.

HARDWARE IDENTIFICATION CHART

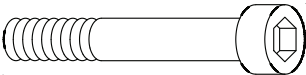
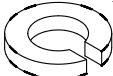
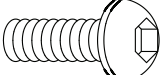
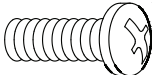
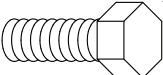
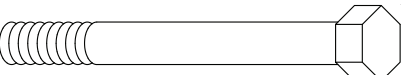
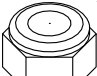

This chart is provided to help identify the hardware used in the assembly process. Place the washers or the ends of the bolts or screws on the circles to check for the correct diameter. Use the small scale to check the length of the bolts and screws.



NOTICE: The length of all bolts and screws, except those with flat heads, is measured from below the head to the end of the bolt or screw. Flat head bolts and screws are measured from the top of the head to the end of the bolt or screw.



After unpacking the unit, open the hardware bag and make sure that you have all the following items. Some hardware may be already attached to the part.

	Part No. and Description	Qty
	81 Bolt, Socket Head (M8 x 1.25 x 70mm)	2
	89 Lock Washer (M8)	2
	94 Bolt, Button Head (M8 x 1.25 x 15mm)	3
	114 Bolt, Button Head (M8 x 1.25 x 12mm)	4
	95 Bolt, Round Head (M6 x 1 x 15mm)	4
	96 Bolt, Round Head (M6 x 1 x 30mm)	4
	97 Bolt, Hex Head (M8 x 1.25 x 16mm)	4
	101 Bolt, Hex Head (M10 x 1.5 x 85mm)	1
	102 Bolt, Hex Head (M10 x 1.5 x 95mm)	1
	103 Bolt, Hex Head (M10 x 1.5 x 125mm)	1
	105 Nylock Nut (M10 x 1.5)	3
	109 Large Washer (M8 x ø23)	2

ASSEMBLY INSTRUCTIONS

Place all parts from the box in a cleared area and position them on the floor in front of you. Remove all packing materials from your area and place them back into the box. Do not dispose of the packing materials until assembly is completed. Read each step carefully before beginning. If you are missing a part, please go to staminaproducts.com under the Customer Care section and order the part needed, e-mail us at customer.care@staminaproducts.com, or call us toll free at 1-800-375-7520 (in the U.S.). Our Customer Care Staff is available to assist you from 7:30 A.M. to 5:00 P.M. (Central Time) Monday through Thursday and 8:00 A.M. to 3:00 P.M. (Central Time) on Friday.

Some product parts are fit tested at the factory to ensure proper fit and alignment. Marks in the paint may be noticeable, but are not an indication of damage.

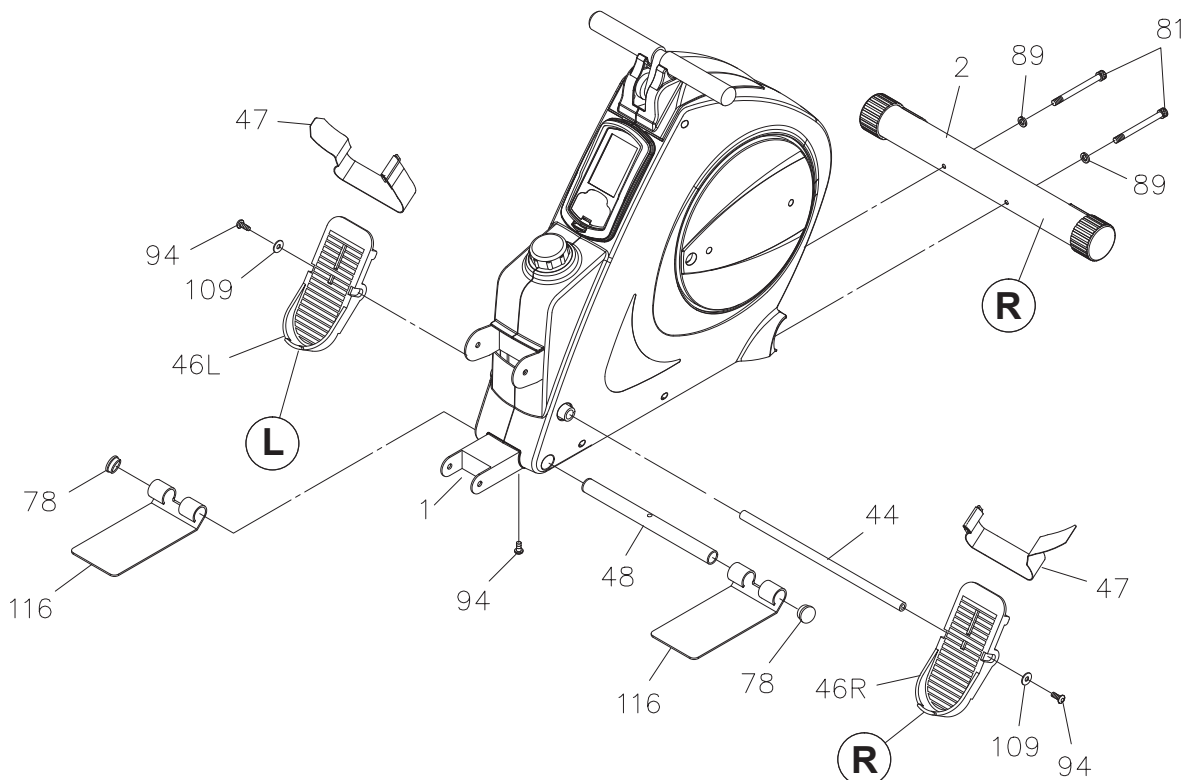
STEP 1: There is an “R” decal on one end of the **FRONT STABILIZER(2)**. Attach the **FRONT STABILIZER(2)** to the **MAIN FRAME(1)** with the “R” decal end at right side and secure with **SOCKET HEAD BOLTS (M8x1.25x70mm)(81)** and **LOCK WASHERS(M8)(89)**.

STEP 2: Insert the **STOPPER TUBE(48)** through the **MAIN FRAME(1)** and secure with **BUTTON HEAD BOLT(M8x1.25x15mm)(94)**. Slide the **FOOT PLATES(116)** on both sides of the **STOPPER TUBE(48)**. Press the **DOME PLUGS(25mm)(78)** into both ends of the **STOPPER TUBE(48)**.

NOTE: The **PEDAL STRAPS(47)** are pre-assembled and attached to the **FOOT PEDALS(46)**. The pedal and strap assembly for the left side has an “L” decal. The pedal and strap assembly for the right side has an “R” decal.

STEP 3: Insert the **PEDAL SHAFT(44)** through the **MAIN FRAME(1)**. Place the **RIGHT FOOT PEDAL ASSEMBLY(46R)** onto the right end of the **PEDAL SHAFT(44)** and place the **LEFT FOOT PEDAL ASSEMBLY(46L)** onto the left end. Secure the **FOOT PEDALS** with **BUTTON HEAD BOLTS (M8x1.25x15mm)(94)** and **LARGE WASHERS(M8)(109)** at both ends of the **PEDAL SHAFT(44)**.

NOTE: You need to use two Allen Wrenches to tighten the **BUTTON HEAD BOLTS(M8x1.25x15mm)(94)** at both ends of the **PEDAL SHAFT(44)** at the same time.



ASSEMBLY INSTRUCTIONS

STEP 4

Attach the **SUPPORT BRACKET(60)** to the **RAIL(52)** with **HEX BOLTS(M8x1.25x16mm)(97)**. Press the **NUT CAPS(79)** onto **NYLOCK NUT(M10x1.5)(105)** and **HEX BOLT(M10x1.5x75mm)(100)**.

STEP 5

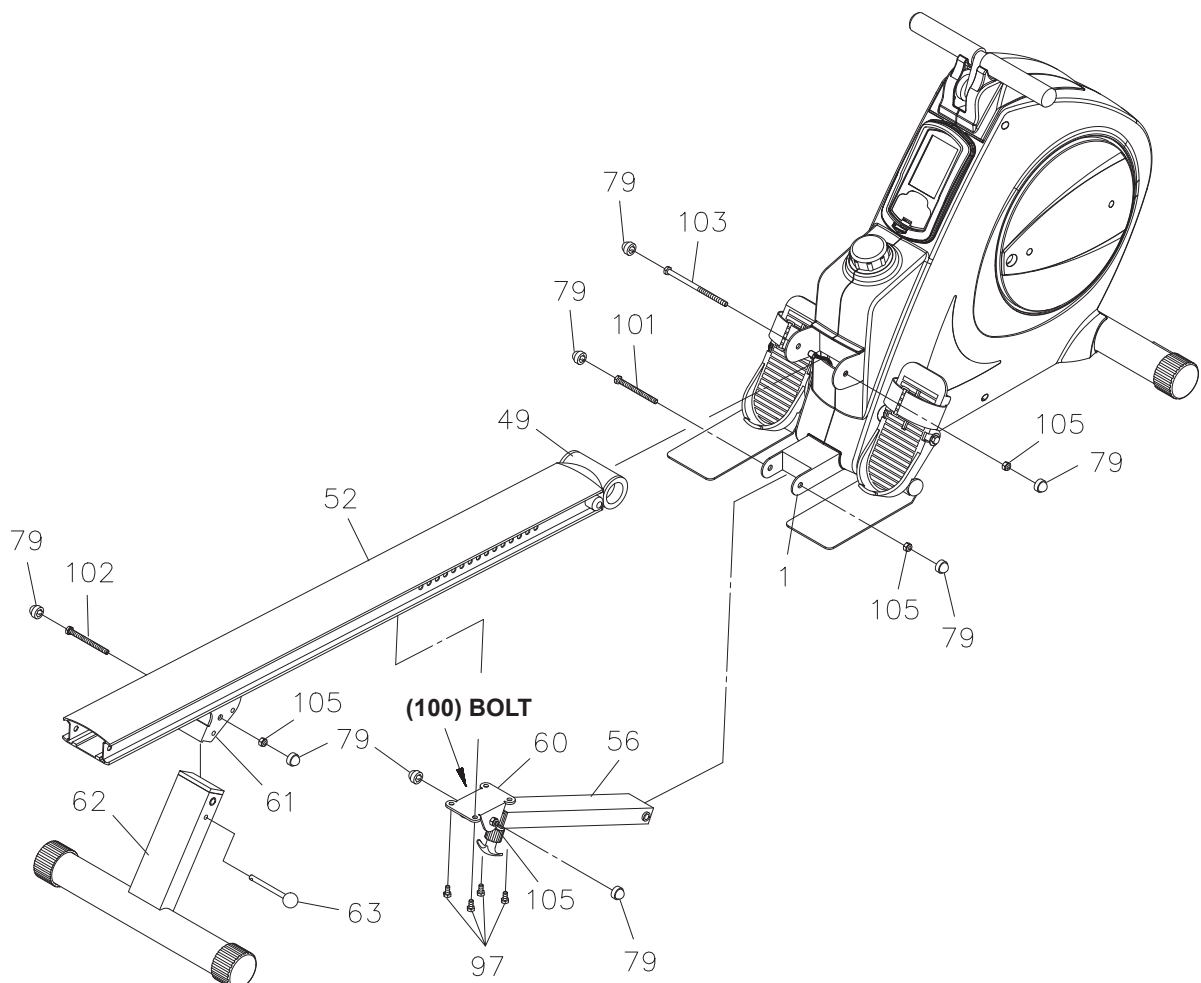
Attach the **RAIL(52)** onto the **MAIN FRAME(1)** by sliding the **RAIL PIVOT(49)** into the bracket on the **MAIN FRAME(1)** and securing with **HEX BOLT(M10x1.5x125mm)(103)** and **NYLOCK NUT(M10x1.5)(105)**. Press the **NUT CAPS(79)** onto **HEX BOLT(M10x1.5x125mm)(103)** and **NYLOCK NUT(M10x1.5)(105)**.

STEP 6

Connect the lower end of the **SUPPORT TUBE(56)** to the **MAIN FRAME(1)** with **HEX BOLT(M10x1.5x85mm)(101)** and **NYLOCK NUT(M10x1.5)(105)**. Press the **NUT CAPS(79)** onto **HEX BOLT(M10x1.5x85mm)(101)** and **NYLOCK NUT(M10x1.5)(105)**.

STEP 7

Attach the **REAR SUPPORT(62)** to the **REAR SUPPORT BRACKET(61)** located on the **RAIL(52)** with **HEX BOLT(M10x1.5x95mm)(102)** and **NYLOCK NUT(M10x1.5)(105)**. Lock the **REAR SUPPORT(62)** in position with the **PULL PIN(63)**. Press the **NUT CAPS(79)** onto **HEX BOLT(M10x1.5x95mm)(102)** and **NYLOCK NUT(M10x1.5)(105)**.



ASSEMBLY INSTRUCTIONS

NOTE: Be careful not to damage the **PULSE SENSOR WIRE(73)** or **PULSE COIL WIRE(74)** during assembly steps 8, 9, and 10.

STEP 8

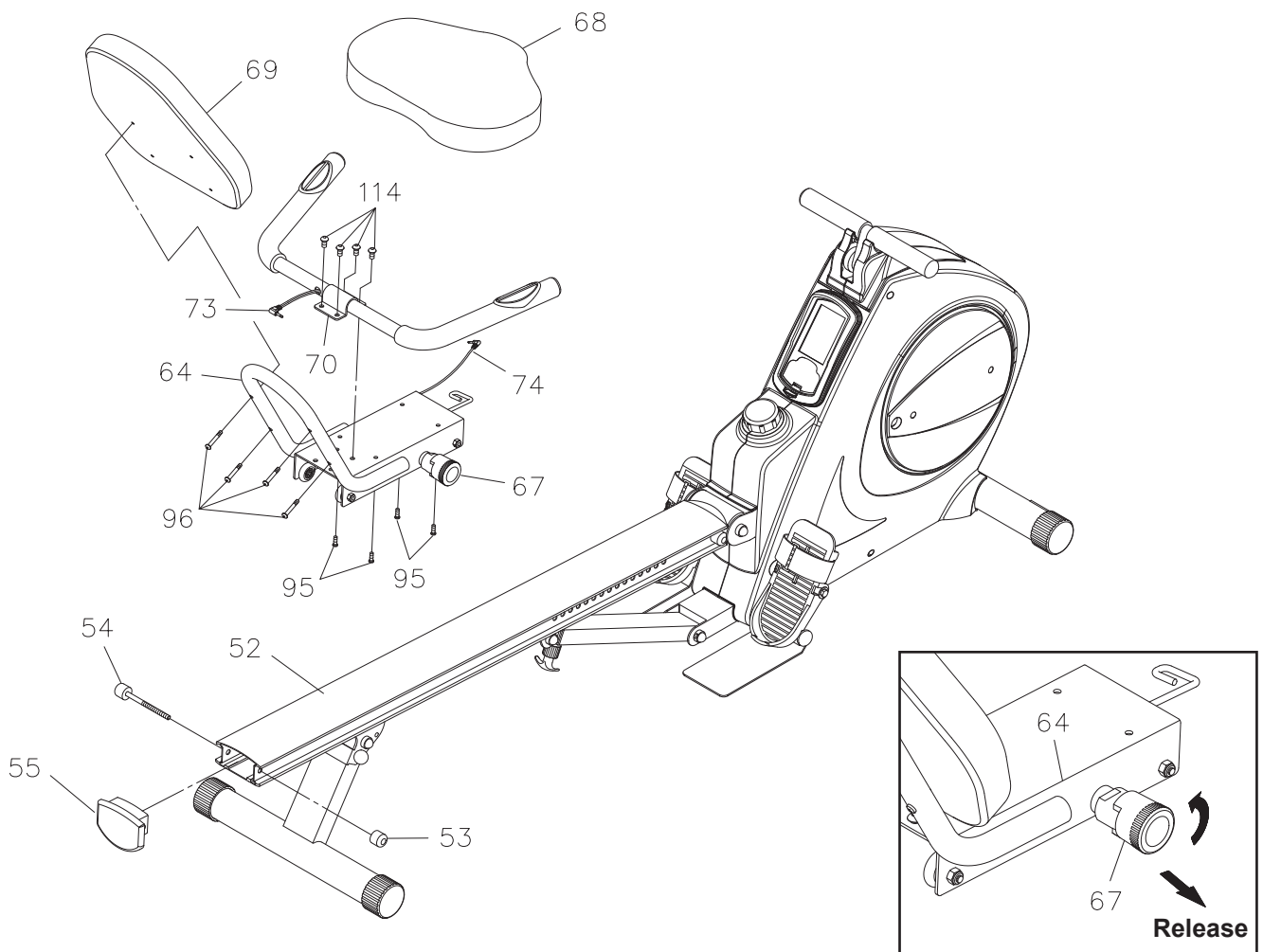
Attach the **HANDRAIL(70)** to the **SEAT CARRIAGE(64)** with **BUTTON HEAD BOLTS (M8x1.25x12mm) (114)**.

STEP 9

Attach the **SEAT(68)** to the **SEAT CARRIAGE(64)** with **ROUND HEAD BOLTS(M6x1x15mm)(95)**. Attach the **BACK CUSHION(69)** to the **SEAT CARRIAGE(64)** with **ROUND HEAD BOLTS(M6x1x30mm)(96)**.

STEP 10

Turn the knob of the **SPRING PIN(67)** counterclockwise and lock the knob in the release position, refer to the inset drawing. Slide the **SEAT CARRIAGE ASSEMBLY(64)** into the **RAIL(52)**. Press the **RAIL CAP(55)** into the back end of the **RAIL(52)**. Insert the **STOPPER BOLT(54)** through the **RAIL(52)** and **RAIL CAP(55)** to bolt them together with the **STOPPER(53)**. Please verify that the other **STOPPER BOLT(54)** at the front end of **RAIL(52)** was assembled at the factory.



ASSEMBLY INSTRUCTIONS

STEP 11

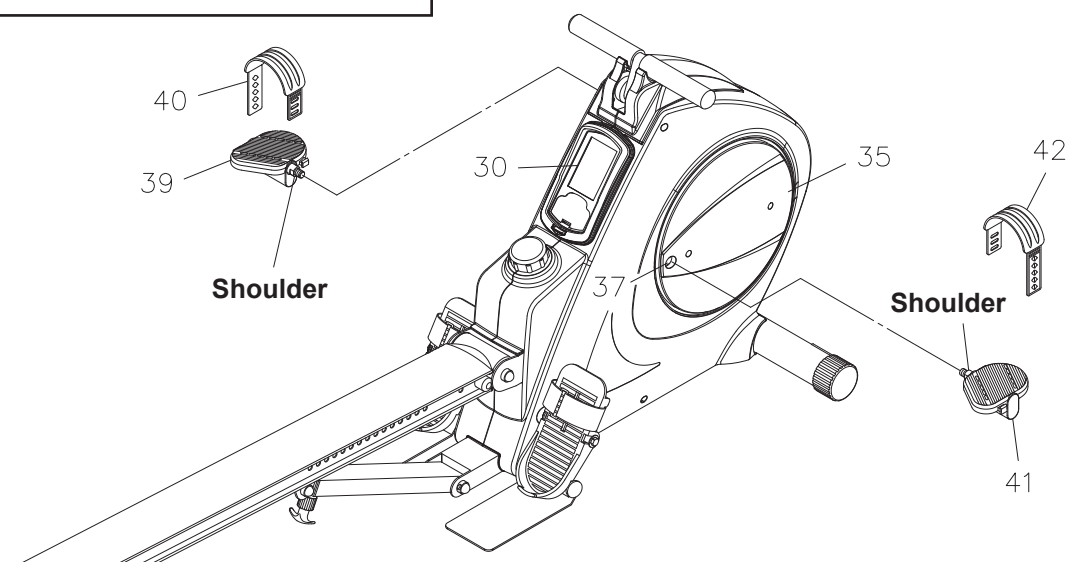
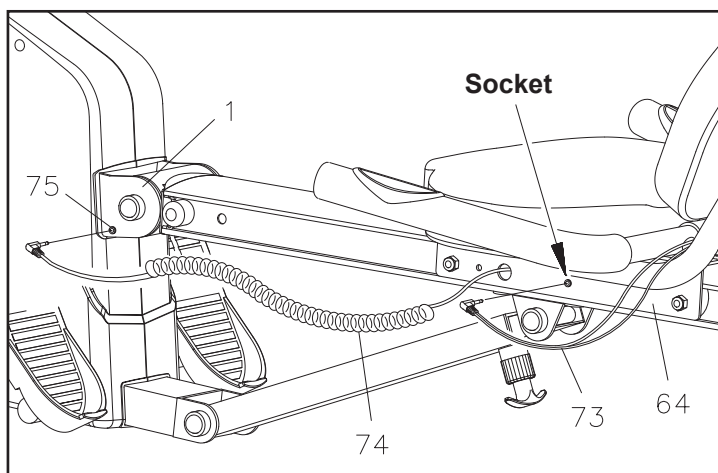
NOTE: The **RIGHT PEDAL(41)** has **R** stamped on the end of the pedal shaft. The **RIGHT PEDAL(41)** has right hand threads and is tightened by turning clockwise. The **LEFT PEDAL(39)** has **L** stamped on the end of the pedal shaft. The **LEFT PEDAL(39)** has left hand threads and is tightened by turning counterclockwise.

Thread the **RIGHT PEDAL(41)** into the **RIGHT CRANK(37)** located inside the **CRANK COVER(35)** as shown. Tighten the pedal securely. The shoulder of the **PEDALS(39, 41)** should be in contact with the **CRANKS(36, 37)** when securely tightened. Select the **RIGHT PEDAL STRAP(42)** which has **R** marked on the bottom side of the strap. Snap the three hole end to the inside edge of the **RIGHT PEDAL(41)**. Snap the other end to the outside edge of the **RIGHT PEDAL(41)** with the **R** mark on the bottom of the **RIGHT PEDAL STRAP(42)**. Select adjustment holes which allow your foot to be easily removed from the pedals. Repeat on the left side in order to attach the **LEFT PEDAL(39)** to the **LEFT CRANK(36)** and snap the **LEFT PEDAL STRAP(40)** to the **LEFT PEDAL(39)**.

STEP 12

Refer to the inset drawing. Plug the **PULSE SENSOR WIRE(73)** into the socket of **PULSE COIL WIRE(74)** located on the **SEAT CARRIAGE(64)**. Plug the **PULSE COIL WIRE(74)** into the socket of **PULSE CONNECTION WIRE(75)** located on the bracket on the **MAIN FRAME(1)**.

NOTE: The **METER(30)** operates with two AA batteries, the batteries are not included. See page 14 for detailed battery installation instructions to install two AA batteries into the **METER(30)**.

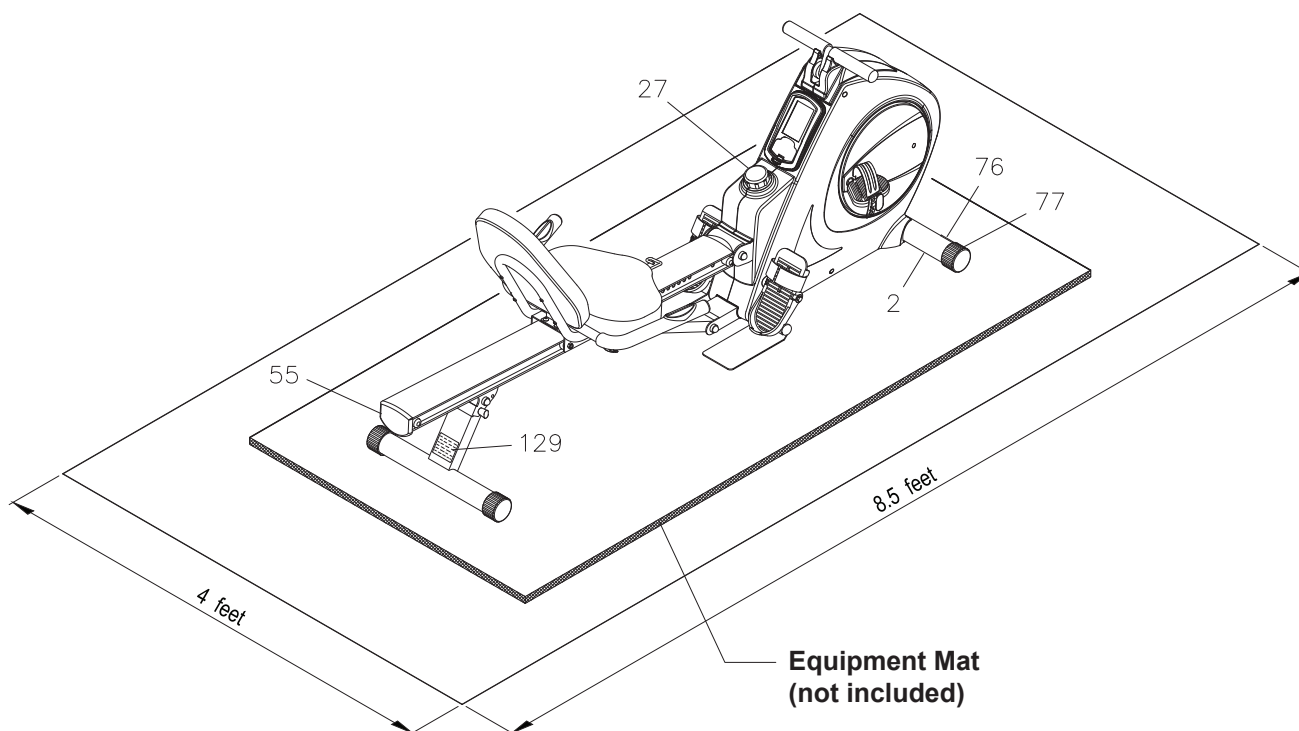


SET UP INSTRUCTIONS

Place the **Stamina® Conversion II Recumbent Bike/Rower** in the area where it will be used. It is recommended that the **Stamina® Conversion II Recumbent Bike/Rower** be placed on an equipment mat. The **Stamina® Conversion II Recumbent Bike/Rower** is approximately 77.8 inches long x 23 inches wide x 30.6 inches tall. (These dimensions may vary up to one inch.) An area 4 feet wide x 8.5 feet long is required for safe operation of the **Stamina® Conversion II Recumbent Bike/Rower**. Make sure that adequate space is available for access to and passage around the **Stamina® Conversion II Recumbent Bike/Rower**.

LEVELING: Adjust the location of **Stamina® Conversion II Recumbent Bike/Rower** so the machine sits on the floor without rocking.

MOVING: The **Stamina® Conversion II Recumbent Bike/Rower** has a pair of **MOVING WHEELS (76)** on the **FRONT STABILIZER(2)**. Grasp the **RAIL CAP(55)** to move the **Stamina® Conversion II Recumbent Bike/Rower**.



FUNCTION INSPECTION:

Visually inspect the **Stamina® Conversion II Recumbent Bike/Rower** to verify that assembly is as shown in the above illustration. Check the function of the **Stamina® Conversion II Recumbent Bike/Rower** by turning the crank slowly through one complete revolution to verify that the drive train functions properly. Adjust the **TENSION KNOB(27)** and verify that it functions properly.

CAUTION: Locate and read the **CAUTION LABEL(129)** on the **Stamina® Conversion II Recumbent Bike/Rower**. Make sure that all users read the **CAUTION LABEL(129)** before using the product.

OPERATIONAL INSTRUCTIONS

USING THE FITNESS METER

POWER ON: Pedal movement or press any button.

POWER OFF: Automatically shuts off after 4 minutes of inactivity.

FUNCTION BUTTONS :

ENTER : Press this button to enter setting mode.

Press and release to select each function for preset target values for TIME, CALORIE, PULSE, and DISTANCE.

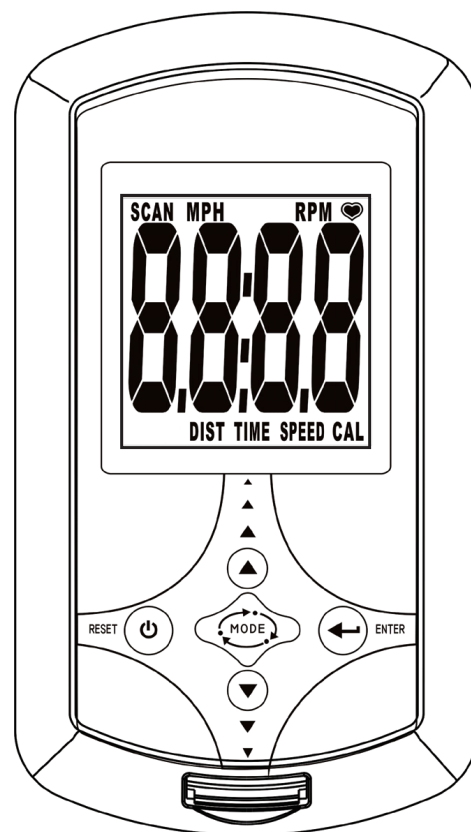
MODE : Press and release to select the function to display on the screen.

Press the button and hold it down for two seconds to reset all functions to zero.

RESET : In the setting mode, press the button to reset the setting values to zero for TIME, CALORIE, and DISTANCE.

Press the button and hold it down for two seconds to reset all functions to zero.

▲ & ▼ : These two buttons for setting target values of TIME, CALORIE, PULSE, and DISTANCE.



FUNCTIONS:

SCAN: Automatically scans **TIME, SPEED, CALORIE, PULSE, RPM, and DISTANCE** in sequence with a change every six seconds. Press and release the **MODE** button until the “**SCAN**” appear on the display.

TIME: Displays the time from 1 sec. up to 99:59 minutes. Counts down from preset value.

SPEED: Displays the current speed from zero to 99.9 miles per hour.

CALORIE: Displays the calorie burned from zero to 999.9 Kcal. Counts down from preset value. The calorie readout is an estimate for an average user. It should be used only as a comparison between workouts on this unit.

PULSE: Displays your pulse rate in beats per minute. To display pulse, select the PULSE MODE and grasp the pulse sensors on the handlebars, one in each hand. The heart icon will begin flashing when the Meter senses your pulse. Your pulse will be displayed approximately five (5) seconds after the heart icon is displayed. If the heart icon does not appear, relax your grip or change your grip on the pulse sensors. If you preset the PULSE value, the meter will warn you with an audible alarm when your pulse exceeds the set value. Stop exercising until your pulse comes down.

NOTE: The pulse function is a great tool to optimize your workout, but should be used as a reference only.

RPM: Displays crank RPM (revolutions per minute) from zero to 999 rpm.

DISTANCE: Displays distance from zero to 999.9 miles. Counts down from preset value.

OPERATIONAL INSTRUCTIONS

PRESET VALUES OPERATION:

You can pull on the **HANDLEBAR(25)** or pedaling to power on the meter and workout with the meter directly. Or, you can preset the function values for counting down. Stop pedaling for four seconds, then press the **ENTER** button to enter setting mode. The meter will go through the input items as follows and allow you to set the function values. Use **▲ / ▼** and **RESET** buttons to input the values, and press **ENTER** button to confirm. Or, just press the **ENTER** button to skip the setting and move on to the next function.

Time (0:00 to 99:00) → Calorie (0.0 to 999.0 Kcal) → Pulse (90 to 220 bpm) → Distance (0.0 to 999.0 mile)

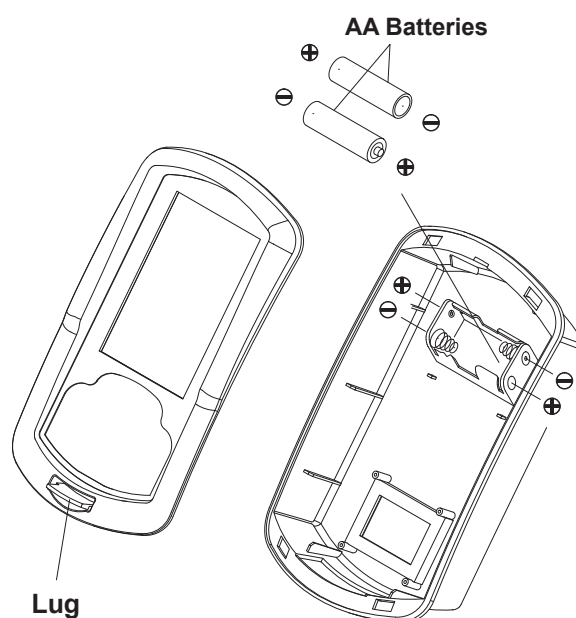
After all the desired settings are chosen, begin pulling on the **HANDLEBAR(25)** or pedaling to start the workout. The preset function values will start to count down. When you complete one of the preset functions, the meter will remind you with an audible alarm and stops running the program. The meter will reset all preset function values to zero, except the **PULSE** value.

HOW TO INSTALL AND REPLACE BATTERIES:

1. Squeeze the lug at the bottom on the Meter to open the meter cover.
2. The meter operates with two AA batteries (1.5V each), the batteries are not included. Refer to the illustration to install or replace the batteries.

NOTE:

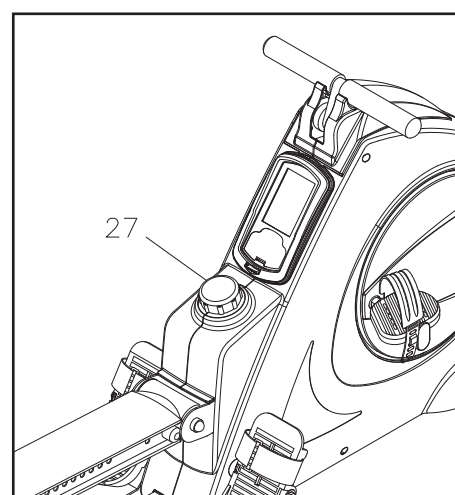
1. Do not mix a new battery with an old battery.
2. Use the same type of battery. Do not mix an alkaline battery with another type of battery.
3. Rechargeable batteries are not recommended.
4. **Ultimate disposal of battery should be handled according to all state and federal laws and regulations.**
5. **Do not dispose of batteries in fire.**



LOAD ADJUSTMENT

To increase the load, turn the **TENSION KNOB(27)** clockwise. To decrease the load, turn the **TENSION KNOB(27)** counterclockwise. There are eight levels for the load adjustment.

NOTE: The load will increase as you pedal faster.



OPERATIONAL INSTRUCTIONS

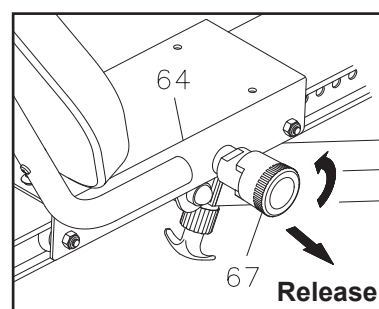
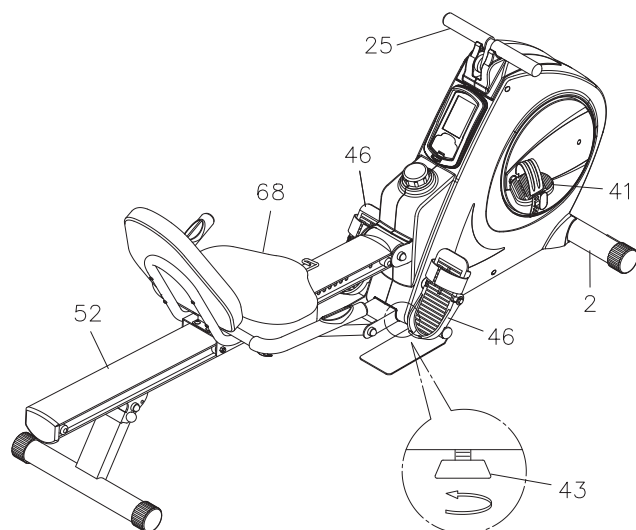
RECUMBENT BIKE MODE AND ROWER MODE

Your **Stamina® Conversion II Recumbent Bike/Rower** can be used in the **Recumbent Bike** mode or the **Rower** mode. When the **SPRING PIN(67)** locks the **SEAT ASSEMBLY** to the **RAIL(52)**, the **Stamina® Conversion II Recumbent Bike/Rower** is in the **Recumbent Bike** mode. When the **SPRING PIN(67)** is in the Release position, the **SEAT ASSEMBLY** is not locked to the **RAIL(52)** and the **Stamina® Conversion II Recumbent Bike/Rower** is in the **Rower** mode.

RECUMBENT BIKE MODE: Pull the knob on the **SPRING PIN(67)**, turn it clockwise and release the knob to allow it to lock the seat in position. Sit on the seat and pedal with the **PEDALS(39, 41)**.

ROWER MODE: Pull the knob on the **SPRING PIN(67)** and turn it counterclockwise to lock it in the release position. Refer to the inset drawing. This will allow the **SEAT ASSEMBLY** to slide freely on the **RAIL(52)**. To work out, sit on the seat, secure your feet in the **FOOT PEDALS(46)** with the **PEDAL STRAPS(47)** and pull on the **HANDLEBAR(25)**.

NOTE: If the **FRONT STABILIZER(2)** raises off the floor during use, adjust the **STAND(43)** to a higher position. The **STAND(43)** is located on the bottom of the **MAIN FRAME(1)**.



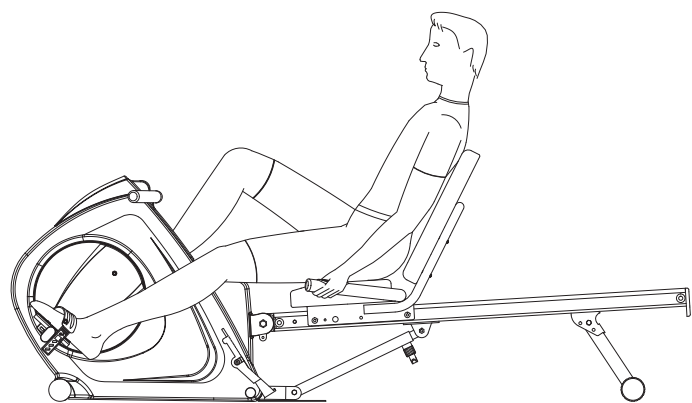
CAUTION: Always verify that the **SPRING PIN(67)** is in the correct position before you begin your workout.

SEAT ADJUSTMENT

Proper seat adjustment is important for **Recumbent Bike** mode.

1. Pull the knob on the **SPRING PIN(67)** and slide the **SEAT ASSEMBLY** forward or backward to adjust the seat. Release the knob on the **SPRING PIN(67)** and make sure it is inserted into one of the adjustment holes in the **RAIL(52)**.
2. Sit on the seat and place your feet on the pedals. You should be able to move through a complete pedal stroke without locking your knees or shifting your hips on the seat. The seat is too close to the pedals if you have more than a slight bend in your knees at the bottom of the pedal stroke. The seat is too far from the pedals if you have to completely straighten your knees at the bottom of the pedal stroke. Refer to the illustrations below.

WARNING: Do not attempt to adjust the seat while you are on the **Stamina® Conversion II Recumbent Bike/Rower**.

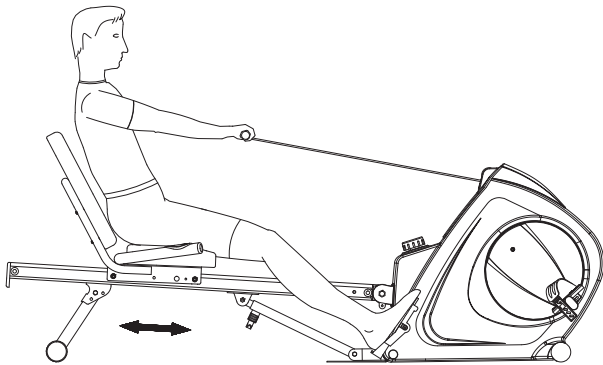


OPERATIONAL INSTRUCTIONS

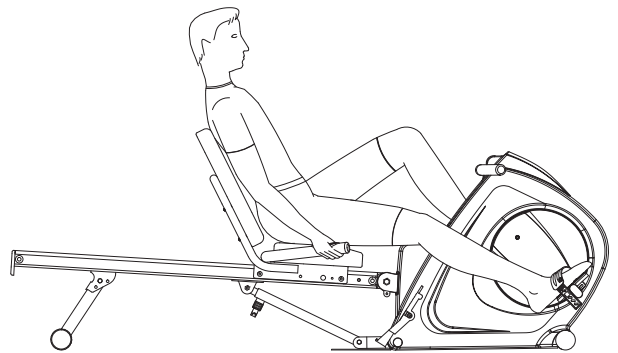
WORKOUT FUNCTIONS

Your **Stamina® Conversion II Recumbent Bike/Rower** can be used as the **Rower** or the **Recumbent Bike**. Please workout as following illustrations.

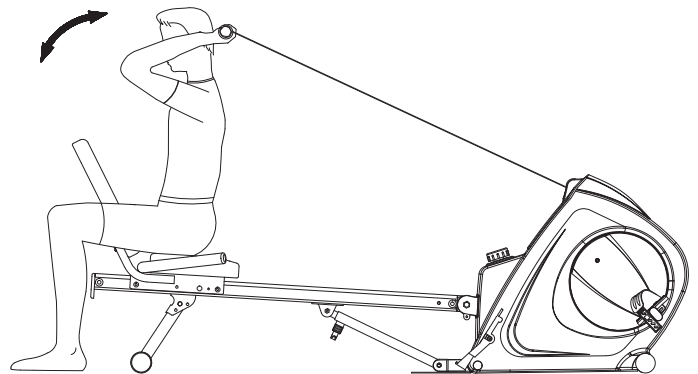
ROWER



RECUMBENT BIKE

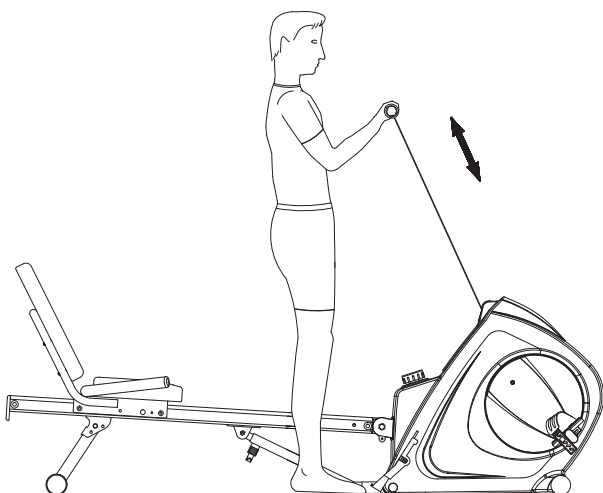


BACK & ABDOMINAL



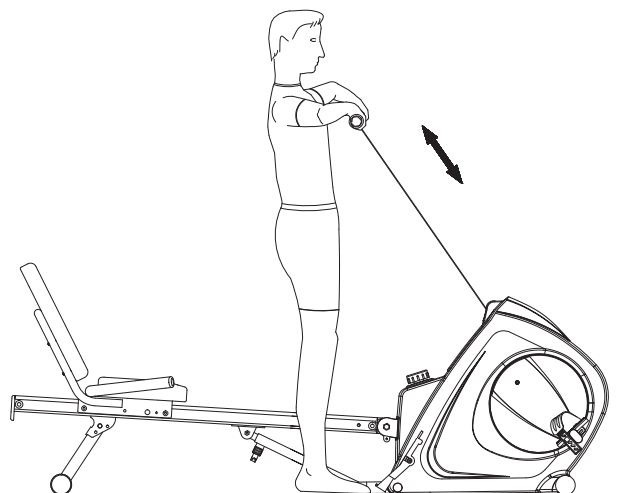
Lock the Seat at proper position of rear part of the Rail. By pulling the handlebar in different ways, you can do the following exercises with your **Stamina® Conversion II Recumbent Bike/Rower**.

BICEPS CURL



Be sure to step on the iron Foot Plates.

UPRIGHT ROW

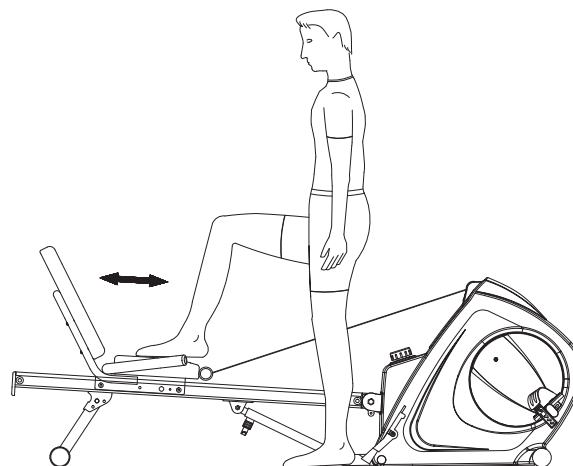


Be sure to step on the iron Foot Plates.

OPERATIONAL INSTRUCTIONS

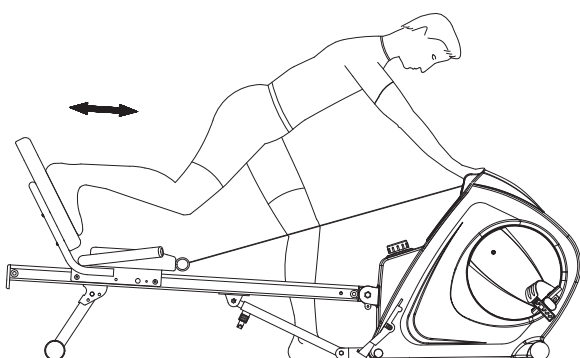
Unlock the Seat from the Rail. Hook the Handlebar to the steel wire Hook at the front of the Seat. You can do the following exercises with your **Stamina® Conversion II Recumbent Bike/Rower**.

LEG STRETCH



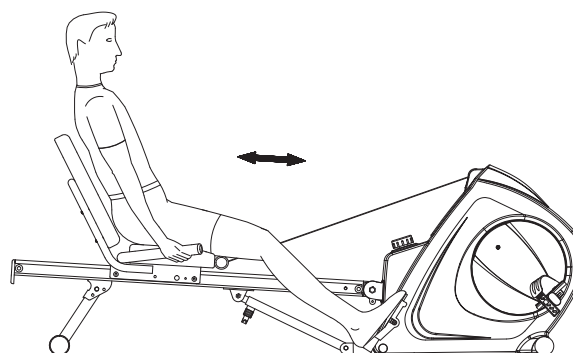
Be sure to step on the iron Foot Plate.

BUTTOCKS



Be sure to step on the iron Foot Plate.

LEG EXTENSION



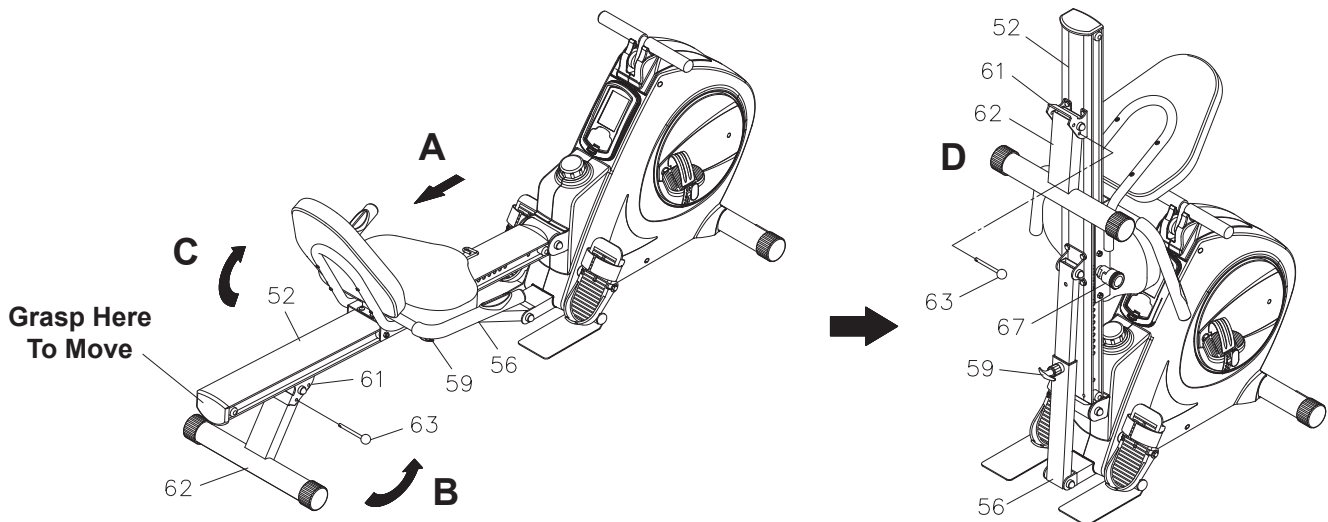
MAINTENANCE

The safety and integrity designed into the **Stamina® Conversion II Recumbent Bike/Rower** can only be maintained when the **Stamina® Conversion II Recumbent Bike/Rower** is regularly examined for damage and wear. Special attention should be given to the following:

1. Adjust the **TENSION KNOB(27)** and verify that it functions properly and the resistance changes.
2. Use a wrench to verify that the pedals are tightened securely. If tightening is required, remember that the left pedal has left hand threads and is tightened by turning counterclockwise.
3. Clean the roller tracks in the **RAIL(52)** with an absorbent cloth.
4. Verify that all nuts and bolts are present and properly tightened. Replace missing nuts and bolts. Tighten loose nuts and bolts.
5. Verify that the **CAUTION LABEL(129)** is in place and easy to read. Call Stamina Products immediately at **1-800-375-7520** for a replacement **CAUTION LABEL(129)** if it is missing or damaged.
6. It is the sole responsibility of the user/owner to ensure that regular maintenance is performed.
7. Worn or damaged components must be replaced immediately or the **Stamina® Conversion II Recumbent Bike/Rower** removed from service until repair is made.
8. Only Stamina Products supplied components should be used to maintain/repair the **Stamina® Conversion II Recumbent Bike/Rower**.
9. Keep your **Stamina® Conversion II Recumbent Bike/Rower** clean by wiping it off with an absorbent cloth after use.

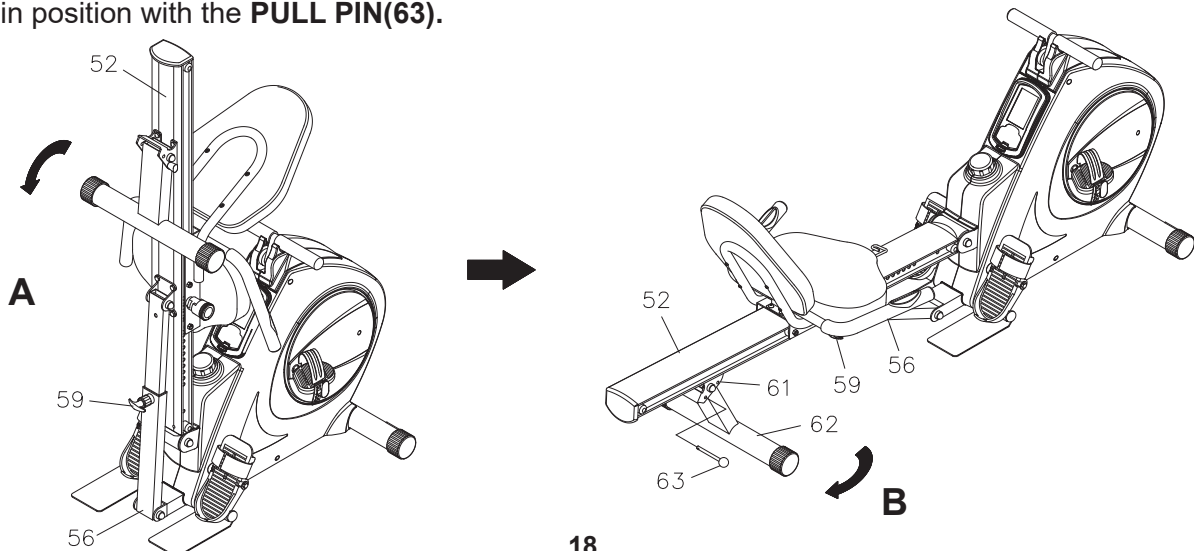
STORAGE

1. To store the **Stamina® Conversion II Recumbent Bike/Rower**, simply keep it in a clean dry place.
2. To avoid damage to the electronics, remove the battery before storing the **Stamina® Conversion II Recumbent Bike/Rower** for one year or more.
3. Move the **Stamina® Conversion II Recumbent Bike/Rower** with the **MOVING WHEELS(76)** on the **FRONT STABILIZER(2)**. Grasp the **RAIL CAP(55)** to move the **Stamina® Conversion II Recumbent Bike/Rower**. Do not use the Seat to move the **Stamina® Conversion II Recumbent Bike/Rower**. The Seat will move and the Seat Carriage may pinch your hand or fingers.
4. The minimum folded dimensions of the **Stamina® Conversion II Recumbent Bike/Rower** are approximately 36.1 inches long x 23 inches wide x 57.8 inches tall. Please measure your **Stamina® Conversion II Recumbent Bike/Rower** if exact dimensions are needed.
5. Follow the illustrated process below to fold the **Stamina® Conversion II Recumbent Bike/Rower**.
 - a. Adjust and lock the seat in position with at least one adjustment hole visible in front of the seat.
NOTE: This will prevent the seat from damaging the covers.
 - b. Remove the **PULL PIN(63)** and swing the **REAR SUPPORT(62)** toward the front.
NOTE: This will allow you to pull out the **RELEASE KNOB(59)** easily.
 - c. Pull out the **RELEASE KNOB(59)** and fold up the **RAIL(52)**. Make sure the **RAIL(52)** is locked securely in folded position by **RELEASE KNOB(59)**.
 - d. Lock the **REAR SUPPORT(62)** in folded position with the **PULL PIN(63)**.



UNFOLD THE Stamina® Conversion II Recumbent Bike/Rower

- a. Pull out the **RELEASE KNOB(59)** and unfold the **RAIL(52)**. Make sure the **RAIL(52)** is locked securely in the unfolded position by **RELEASE KNOB(59)**.
- b. Remove the **PULL PIN(63)** and swing the **REAR SUPPORT(62)** backward, then lock the **REAR SUPPORT (62)** in position with the **PULL PIN(63)**.



CONDITIONING GUIDELINES

How you begin your exercise program depends on your physical condition. If you have been inactive for several years or are severely overweight, start slowly and increase your workout time gradually. Increase your workout intensity gradually by monitoring your heart rate while you exercise.

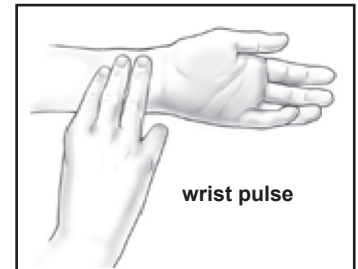
Remember to follow these essentials:

- Have your doctor review your training and diet programs.
- Begin your training program slowly with realistic goals that have been set by you and your physician.
- Warm up before you exercise and cool down after you work out.
- Take your pulse periodically during your workout and strive to stay within a range of 60% (lower intensity) to 90% (higher intensity) of your maximum heart rate zone. Start at the lower intensity, and build up to higher intensity as you become more aerobically fit.
- If you feel dizzy or lightheaded you should slow down or stop exercising.

Initially you may only be able to exercise within your target zone for a few minutes; however, your aerobic capacity will improve over the next six to eight weeks. It is important to pace yourself while you exercise so you don't tire too quickly.

To determine if you are working out at the correct intensity, use a heart rate monitor or use the table below. For effective aerobic exercise, your heart rate should be maintained at a level between 60% and 90% of your maximum heart rate. If just starting an exercise program, work out at the low end of your target heart rate zone. As your aerobic capacity improves, gradually increase the intensity of your workout by increasing your heart rate.

Measure your heart rate periodically during your workout by stopping the exercise but continuing to move your legs or walk around. Place two or three fingers on your wrist and take a six second heartbeat count. Multiply the results by ten to find your heart rate. For example, if your six second heartbeat count is 14, your heart rate is 140 beats per minute. A six second count is used because your heart rate will drop rapidly when you stop exercising. Adjust the intensity of your exercise until your heart rate is at the proper level.



Target Heart Rate Zone Estimated by Age*

Age	Target Heart Rate Zone (55%-90% of Maximum Heart Rate)	Average Maximum Heart Rate 100%
20 years	110-180 beats per minute	200 beats per minute
25 years	107-175 beats per minute	195 beats per minute
30 years	105-171 beats per minute	190 beats per minute
35 years	102-166 beats per minute	185 beats per minute
40 years	99-162 beats per minute	180 beats per minute
45 years	97-157 beats per minute	175 beats per minute
50 years	94-153 beats per minute	170 beats per minute
55 years	91-148 beats per minute	165 beats per minute
60 years	88-144 beats per minute	160 beats per minute
65 years	85-139 beats per minute	155 beats per minute
70 years	83-135 beats per minute	150 beats per minute

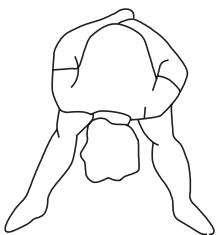
* For cardiorespiratory training benefits, the American College of Sports Medicine recommends working out within a heart rate range of 55% to 90% of maximum heart rate. To predict the maximum heart rate, the following formula was used: $220 - \text{Age} = \text{predicted maximum heart rate}$

WARM-UP and COOL-DOWN

Warm-Up The purpose of warming up is to prepare your body for exercise and to minimize injuries. Warm up for two to five minutes before strength training or aerobic exercising. Perform activities that raise your heart rate and warm the working muscles. Activities may include brisk walking, jogging, jumping jacks, jump rope, and running in place.

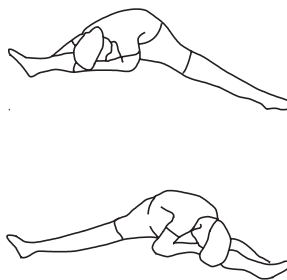
Stretching Stretching while your muscles are warm after a proper warm-up and again after your strength or aerobic training session is very important. Muscles stretch more easily at these times because of their elevated temperature, which greatly reduces the risk of injury. Stretches should be held for 15 to 30 seconds. Do not bounce.

Suggested Stretching Exercises



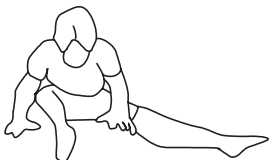
Lower Body Stretch

Place feet shoulder-width apart and lean forward. Keep this position for 30 seconds using the body as a natural weight to stretch the backs of the legs. **DO NOT BOUNCE!** When the pull on the back of the legs lessens, gradually try a lower position.



Floor Stretch

While sitting on the floor, open the legs as wide as possible. Stretch the upper body toward the knee on the right leg by using your arms to pull your chest to your thighs. Hold this stretch 10 to 30 seconds. **DO NOT BOUNCE!** Do this stretch 10 times. Repeat the stretch with the left leg.



Bent Torso Pulls

While sitting on the floor, have legs apart, one leg straight and one knee bent. Pull the chest down to touch the thigh on the leg that is bent, and twist at the waist. Hold this position at least 10 seconds. Repeat 10 times on each side.



Bent Over Leg Stretch

Stand with feet shoulder-width apart and lean forward as illustrated. Using the arms, **gently** pull the upper body towards the right leg. Let the head hang down. **DO NOT BOUNCE!** Hold the position a minimum of 10 seconds. Repeat pulling the upper body to the left leg. Do this stretch several times slowly.

Remember to always check with your physician before starting any exercise program.

Cool-Down The purpose of cooling down is to return the body to its normal, or near normal, resting state at the end of each exercise session. A proper cool-down slowly lowers your heart rate and allows blood to return to the heart. Your cool-down should include the stretches listed above and should be completed after each strength training session.

LIMITED WARRANTY

MODEL 15-9011A

WARRANTY

Stamina Products, Inc. ("Stamina") warrants to the original purchaser that this product will be free from defects in materials and workmanship that arise under normal use, service, proper assembly and proper operation in accordance with product warnings/instructions for a period of 90 days on the parts and three years on the frame from the date of the original purchase from an authorized retailer. **THIS WARRANTY SHALL NOT APPLY TO ANY PRODUCT WHICH HAS BEEN SUBJECT TO COMMERCIAL USE, ABUSE, MISUSE, ALTERATION OF ANY KIND OR TO ANY DEFECT OR CHANGE CAUSED BY IMPROPER ASSEMBLY, REPAIR, REPLACEMENT, SUBSTITUTION OR USE WITH PARTS NOT PROVIDED BY STAMINA.** Commercial use includes use of product in athletic clubs, health clubs, spas, gyms, and all other public or semipublic facilities whether or not the product's use is in furtherance of a profit making enterprise, and all other use which is not for personal purposes.

To implement this limited warranty, send a written notice stating your name, date, and place of purchase and a brief description of the defect along with your receipt to Stamina Products, Inc. 2040 N Alliance Ave, Springfield, Missouri, USA, MO 65803, or email us at customer.care@staminaproducts.com, or call us at 1-800-375-7520. If the defect is covered under this limited warranty, you will be requested to return the product or part to us for free repair or replacement at our option.

NO ACTION FOR BREACH OF THIS LIMITED WARRANTY MAY BE COMMENCED MORE THAN ONE (1) YEAR AFTER THE DATE THE ALLEGED BREACH WAS OR SHOULD HAVE BEEN DISCOVERED. NO ACTION FOR BREACH OF ANY IMPLIED WARRANTY (INCLUDING MERCHANTABILITY AND FITNESS FOR A PARTICULAR PURPOSE) MAY BE COMMENCED MORE THAN ONE (1) YEAR AFTER DELIVERY OF THE PRODUCT TO THE PURCHASER. These warranties are not transferable. **IF ANY PART OF THE PRODUCT IS NOT IN COMPLIANCE WITH THIS LIMITED WARRANTY OR ANY IMPLIED WARRANTY, THE REMEDY OF REPAIR OR REPLACEMENT IS THE EXCLUSIVE REMEDY.** If any claim is made under this limited warranty or any implied warranty, Stamina reserves the right to require the product to be returned for inspection, at the purchaser's expense, to Stamina's premises in Springfield, Missouri. Return of the enclosed warranty registration card is not required for warranty coverage, but is merely a way of establishing the date and place of purchase.

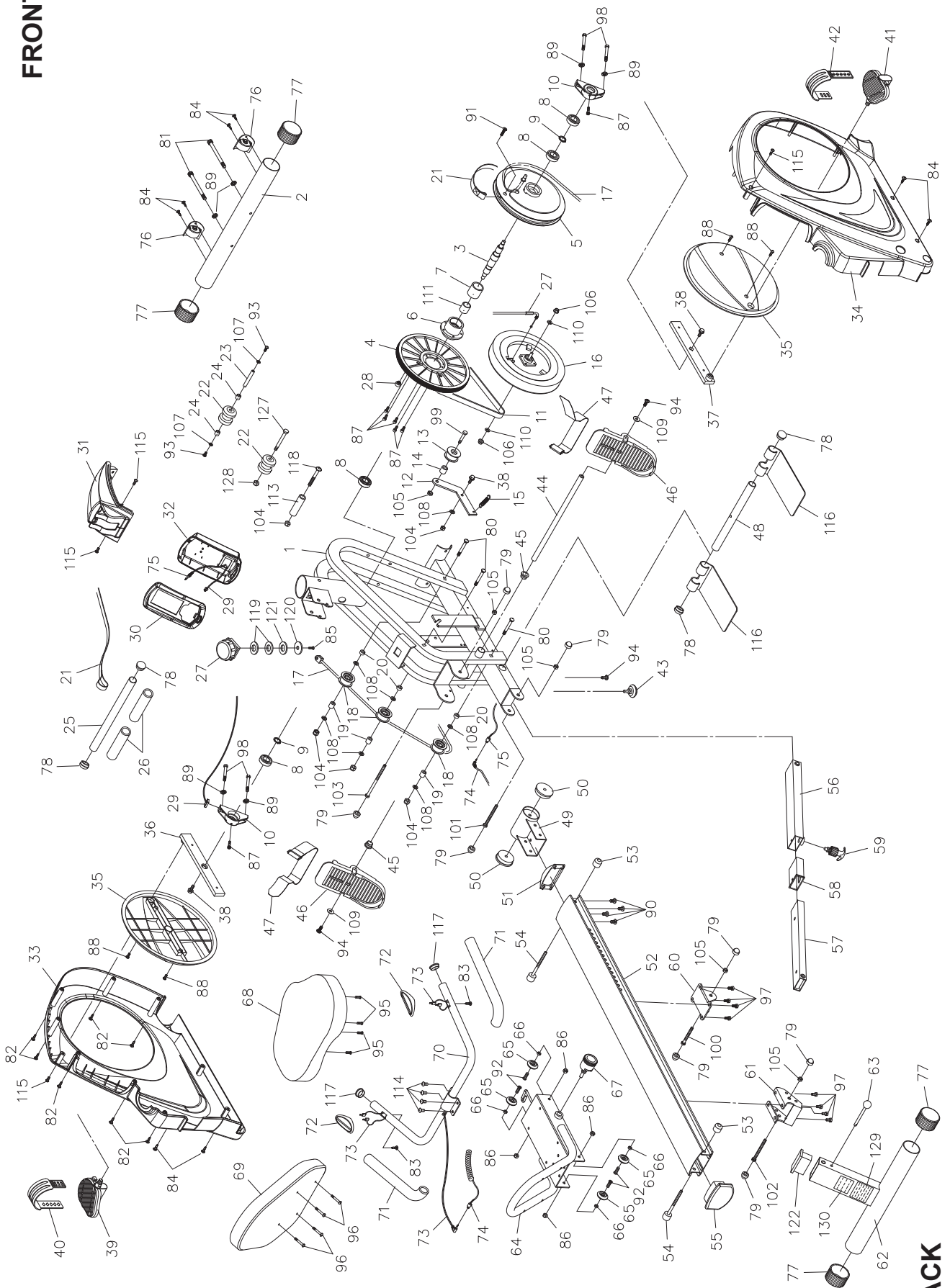
Stamina **SHALL NOT BE LIABLE FOR THE LOSS OF USE OF ANY PRODUCT, LOSS OF TIME, INCONVENIENCE, COMMERCIAL LOSS OR ANY OTHER INDIRECT, CONSEQUENTIAL, SPECIAL OR INCIDENTAL DAMAGES DUE TO BREACH OF THE ABOVE WARRANTY OR ANY IMPLIED WARRANTY.**

THIS LIMITED WARRANTY IS THE ONLY EXPRESS WARRANTY. NO ORAL OR WRITTEN INFORMATION GIVEN BY STAMINA, ITS AGENTS OR EMPLOYEES, SHALL CREATE A WARRANTY OR IN ANY WAY INCREASE THE SCOPE OF THIS WARRANTY. This warranty gives you specific legal rights, and you may also have other legal rights which vary from state to state. **ANY OTHER RIGHT WHICH YOU MAY HAVE, INCLUDING ANY IMPLIED WARRANTY OF MERCHANTABILITY OR FITNESS FOR A PARTICULAR PURPOSE, IS LIMITED IN DURATION TO THE DURATION OF THIS WARRANTY.**

The laws in some states affect the disclaimer or limitation of implied warranties and consequential and incidental damages. If any such law is found applicable, the foregoing disclaimers and limitations of and on implied warranties and consequential and incidental damages shall be deemed to be modified to the extent necessary to comply with applicable law.

PRODUCT PARTS DRAWING

FRONT



BACK

PARTS LIST

PART#	PART NAME	QTY
1	Main Frame	1
2	Front Stabilizer	1
3	Axle	1
4	Pulley	1
5	Strap Wheel	1
6	Connection Wheel	1
7	One Way Bearing (3520)	1
8	Bearing (6004 zz)	4
9	C Ring (20mm)	2
10	Bearing Housing	2
11	V-Ribbed Belt	1
12	Idler Arm	1
13	Idler Wheel	1
14	Idler Wheel Spacer	1
15	Tension Spring	1
16	Magnetic System	1
17	Bungee Cord	1
18	Bungee Wheel	3
19	Wheel Bushing	3
20	Wheel Spacer	3
21	Strap	1
22	Strap Roller	2
23	Roller Axle	1
24	Roller Spacer	2
25	Handlebar	1
26	Foam Grip	2
27	Tension Knob	1
28	Magnet	1
29	Sensor Wire	1
30	Meter	1
31	Top Cover	1
32	Meter Bottom Cover	1
33	Left Cover	1
34	Right Cover	1
35	Crank Cover	2
36	Left Crank	1
37	Right Crank	1
38	Flange Bolt (M8 x 1.25 x 25mm)	3
39	Left Pedal	1
40	Left Pedal Strap	1
41	Right Pedal	1
42	Right Pedal Strap	1
43	Stand	1
44	Pedal Shaft	1
45	Spacer	2
46	Foot Pedal	2
47	Pedal Strap	2
48	Stopper Tube	1

PARTS LIST

PART#	PART NAME	QTY
49	Rail Pivot	1
50	Pivot Bushing	2
51	Rail Connection Cap	1
52	Rail	1
53	Stopper	2
54	Stopper Bolt	2
55	Rail Cap	1
56	Support Tube	1
57	Inner Support Tube	1
58	Bushing	1
59	Release Knob	1
60	Support Bracket	1
61	Rear Support Bracket	1
62	Rear Support	1
63	Pull Pin	1
64	Seat Carriage	1
65	Seat Roller	4
66	Seat Roller Spacer (ø8 x ø12 x 6.5mm)	4
67	Spring Pin	1
68	Seat	1
69	Back Cushion	1
70	Handrail	1
71	Foam Grip	2
72	Pulse Sensor Plate	2
73	Pulse Sensor Wire	1
74	Pulse Coil Wire	1
75	Pulse Connection Wire	1
76	Moving Wheel	2
77	Round Endcap (60mm)	4
78	Dome Plug (25mm)	4
79	Nut Cap (M10)	8
80	Carriage Bolt (M8 x 1.25 x 60mm)	3
81	Bolt, Socket Head (M8 x 1.25 x 70mm)	2
82	Screw, Round Head (M4 x 20mm)	7
83	Screw, Round Head (M4 x 25mm)	2
84	Screw, Round Head (M5 x 18mm)	8
85	Screw, Round Head (M5 x 0.8 x 15mm)	1
86	Nylock Nut (M8 x 1.25 x 6.2mm thick)	4
87	Bolt, Socket Head (M5 x 0.8 x 15mm)	7
88	Bolt, Round Head (M6 x 1 x 15mm)	4
89	Lock Washer (M8)	6
90	Bolt, Flat Head (M8 x 1.25 x 16mm)	4
91	Bolt, Flat Head (M8 x 1.25 x 25mm)	1
92	Bolt, Flat Button Head (M8 x 1.25 x 25mm)	4
93	Bolt, Button Head (M6 x 1 x 12mm)	2
94	Bolt, Button Head (M8 x 1.25 x 15mm)	3
95	Bolt, Round Head (M6 x 1 x 15mm)	4
96	Bolt, Round Head (M6 x 1 x 30mm)	4

PARTS LIST

PART#	PART NAME	QTY
97	Bolt, Hex Head (M8 x 1.25 x 16mm)	8
98	Bolt, Hex Head (M8 x 1.25 x 55mm)	4
99	Bolt, Hex Head (M10 x 1.5 x 45mm)	1
100	Bolt, Hex Head (M10 x 1.5 x 75mm)	1
101	Bolt, Hex Head (M10 x 1.5 x 85mm)	1
102	Bolt, Hex Head (M10 x 1.5 x 95mm)	1
103	Bolt, Hex Head (M10 x 1.5 x 125mm)	1
104	Nylock Nut (M8 x 1.25 x 8mm thick)	5
105	Nylock Nut (M10 x 1.5)	5
106	Flange Nut (M10 x 1.25)	2
107	Washer (M6)	2
108	Washer (M8 x \varnothing 16mm)	7
109	Large Washer (M8 x \varnothing 23mm)	2
110	Washer (M10)	2
111	One Way Bearing (2520)	1
113	Roller Spacer	1
114	Bolt, Button Head (M8 x 1.25 x 12mm)	4
115	Screw, Round Head (M5 x 12mm)	4
116	Foot Plate	2
117	Round Plug (25mm)	2
118	Bolt, Hex Head (M8 x 1.25 x 70mm)	1
119	Large Washer (26 x 38 x 2.0mm thick)	2
120	Large Washer (6 x 32 x 2.0mm thick)	1
121	Large Washer (26 x 34 x 1.0mm thick)	1
122	Rectangular Plug (38mm x 76mm)	1
123	Allen Wrench (6mm)	2
124	Combination Wrench	1
125	Wrench (17mm)	2
126	Manual	1
127	Bolt, Hex Head (M10 x 1.5 x 65mm)	1
128	Thin Nylock Nut (M10 x 1.5)	1
129	Caution Label	1
130	Serial Decal	1

NOTES

TO CONTACT CUSTOMER CARE

For your convenience, Stamina's customer care representatives can be reached by email at customer.care@staminaproducts.com or by phone at 1-800-375-7520 (in the U.S.). Our customer care representatives are available Monday through Thursday from 7:30 a.m. until 5:00 p.m., and Friday 8:00 a.m. until 3 p.m. Central Time.



**ONLINE
CUSTOMER CARE**
customer.care@staminaproducts.com
www.staminaproducts.com



**TELEPHONE
CUSTOMER CARE**
Tel: 1 (800) 375-7520



**FAX
CUSTOMER CARE**
Fax: (417) 889-8064



MAIL
STAMINA PRODUCTS, INC.
ATTN: Customer Care
2040 N Alliance Ave, Springfield, MO 65803

Would you like to receive email information or special offers from Stamina Products? Register at contact.staminaproducts.com

TO REGISTER YOUR PRODUCT

To enact your warranty, please register your product by going to register.staminaproducts.com. Please have your product model number (printed on the cover of this owner's manual) and the serial number (printed on the black and white sticker on your product) ready.

If you don't have internet access, you can call customer care at 1-800-375-7520, or fill out and mail the product registration form below to Stamina Products, Inc.; 2040 N Alliance Ave, Springfield, MO 65803.

PRODUCT REGISTRATION FORM		Stamina Products, Inc. 2040 N Alliance Ave, Springfield, MO 65803	
Model Number:		Serial Number:	
Product Name:			
Place Purchased:			
Date of Purchase:		Purchase Price:	
First Name:		Last Name:	
City:	State:	Phone #: ()	Zip Code:
Email Address:		Phone #: ()	
Would you like to receive email information or special offers from Stamina Products?* <input type="checkbox"/> Yes <input type="checkbox"/> No *If yes, be sure your email address is included above.			



Detach and Mail or Fax the Form Above



TO ORDER PARTS

If there are missing or damaged parts, you can go to parts.staminaproducts.com and order those parts. If you have questions, please contact customer care. Do not return the product. To order parts by mail, fill out the sheet below and fax it to 417-889-8064. The part will be mailed to your address.



Detach and Mail or Fax the Form Below



PARTS ORDER FORM		Stamina Products, Inc. 2040 N Alliance Ave, Springfield, MO 65803	
Mr./Ms:			
Address:		Apt. #:	
City:	State:	Zip Code:	
IMPORTANT : We require your phone number to process the order!			
Phone #: ()		Work Phone #: ()	
Date of Purchase:			
Model #:			
Purchased From:			

**IMPORTANT: Before filling out the portion below, make sure you have the correct information.
Refer to the parts list to make sure you're ordering the right parts!**

PART #	DESCRIPTION	QUANTITY
EXAMPLE: 1	Rear Unit Assembly	1