

Product May Vary
Slightly From Pictured.



DOORWAY TRAINER PLUS

Owner's Manual Safety Instructions Customer Care Warranty

Safety Instructions

- ▲ WARNING** This equipment is for home use only. Do not use in institutional or commercial applications. Failure to follow this warning could result in death or serious injury.
- ▲ WARNING** Cancer and Reproductive Harm www.P65Warnings.ca.gov
- ▲ WARNING** To reduce the risk of serious injury, read the following Safety Instructions before using the **Doorway Trainer Plus**.

1. Save these instructions and ensure that other exercisers read this manual prior to using the **Doorway Trainer Plus** for the first time.
2. Read this Owner's Manual and follow it carefully before using the **Doorway Trainer Plus**.
3. Keep children away from the **Doorway Trainer Plus**. Do not allow children to use or play around the **Doorway Trainer Plus**. Keep children and pets away from the **Doorway Trainer Plus** when it is in use.
4. The equipment can be used only if it is examined regularly for damage and wear. Before using, inspect the **Doorway Trainer Plus** for worn or loose components, and securely tighten or replace any worn or loose components prior to use. Please replace defective components immediately and keep the equipment out of use until repair. Contact customer care (specific information is as below) for repair or component replacement.
5. Before using, carefully read and understand all of the directions of the **Doorway Trainer Plus** for proper installation. Also, make sure the door frame and moldings are secure and solid before installing **Doorway Trainer Plus**. A weak door frame and/or moldings can cause the unit to fail and dislodge from the doorway.
6. Before using the **Doorway Trainer Plus**, tug down on the Handlebars to make sure the unit is securely installed into the door frame.
7. As the **Doorway Trainer Plus** is not designed for permanent installation, remove it from the door frame and store away in a safe place until next use.
8. Injuries may result from incorrect or excessive training. Consult a physician prior to commencing an exercise program. If at any time during exercise you feel faint, dizzy, or experience pain, stop and consult your physician.
9. Always choose the workout which best fits your physical strength and flexibility level. Know your limits and train within them. Always use common sense when exercising.
10. Do not wear loose or dangling clothing while using the **Doorway Trainer Plus**.
11. The **Doorway Trainer Plus** should not be used by persons weighing over 250 pounds.
12. The **Doorway Trainer Plus** should only be used by one person at a time.
13. The **Doorway Trainer Plus** is for consumer use only. It is not for use in public or semipublic facilities.
14. The **Doorway Trainer Plus** has a total mass and dimension of: 37" x 15.25" x 12" weighing 7.0 lbs.

This Product is Distributed Exclusively by



2040 N. Alliance, Springfield, MO 65803
Customer Care
1 (800) 375-7520
customer.care@staminaproducts.com
www.staminaproducts.com

When calling for parts or
service, please specify the
following model number:
50 - 0050

MADE IN CHINA
© 2016 Stamina Products, Inc.
2018, 01

EXTEND YOUR PARTS WARRANTY TO 180 DAYS FROM THE DATE OF PURCHASE. REGISTER YOUR PRODUCT.



**NEED HELP?
CONTACT US FIRST
1 (800) 375-7520
customer.care@staminaproducts.com**

Hi! From all of us here at Stamina Products, thank you for your purchase. We know that you have big fitness goals in mind and we are here to help you along. Call us, email us, or send us a message on Facebook. Be sure to contact us if you have any questions on your new product. We look forward to hearing from you!

With your body in mind,
Stamina Customer Care

To enact your extended warranty and to help us better serve you, please **go online** and register your new product.

register.staminaproducts.com

It is quick and easy to register online, but if you're a little old school or just need a reason to raise that little flag on your mailbox, fill out the info on the last page of this manual and mail it in.



ONLINE

customer.care@staminaproducts.com
www.staminaproducts.com



TELEPHONE

1 (800) 375-7520



FAX

(417) 889-8064



MAIL

Stamina Products, Inc.
ATTN: Customer Care
P.O. Box 1071
Springfield, MO 65801-1071

 facebook.com/StaminaProducts
facebook.com/AeroPilates

CUSTOMER CARE HOURS:
Monday-Thursday, 7:30 AM-5:00 PM, Central Time
Friday, 8:00 AM-3:00 PM, Central Time

Equipment Warning, Caution & Notice Labels

This chart is provided to help identify the warning, caution, and notice labels on the **Doorway Trainer Plus**. Please take a moment to familiarize yourself with all of the warning, caution, and notice labels.

Label is larger than actual size

W1 WARNING LABEL(23)



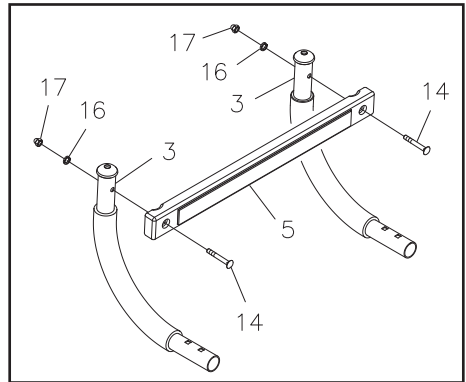
Assembly Instructions

NOTE:

Do not tighten any bolts until STEP 4.

STEP 1

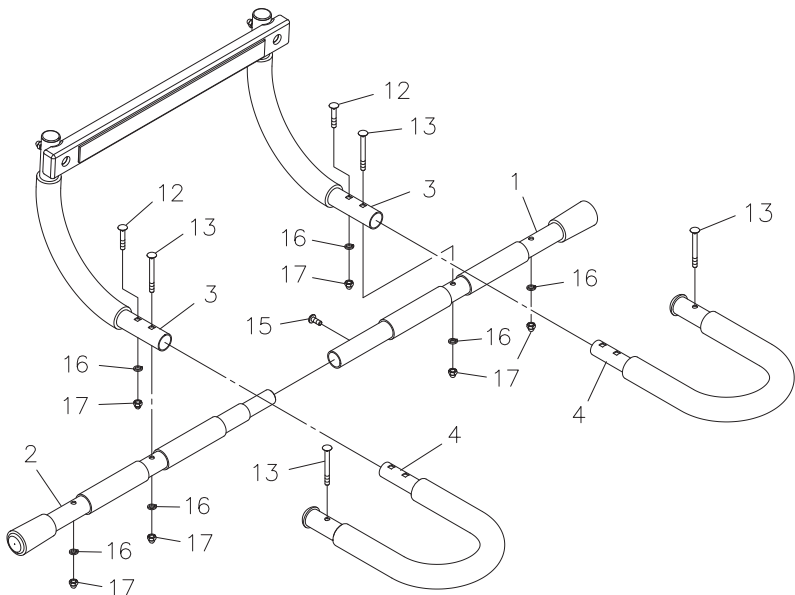
Attach the **ARCHED SUPPORTS(3)** to the **PLASTIC BAR(5)** with **CARRIAGE BOLTS(M6x1x45mm)(14)**, **LOCK WASHERS(M6)(16)**, and **ACORN NUTS(M6x1)(17)**.



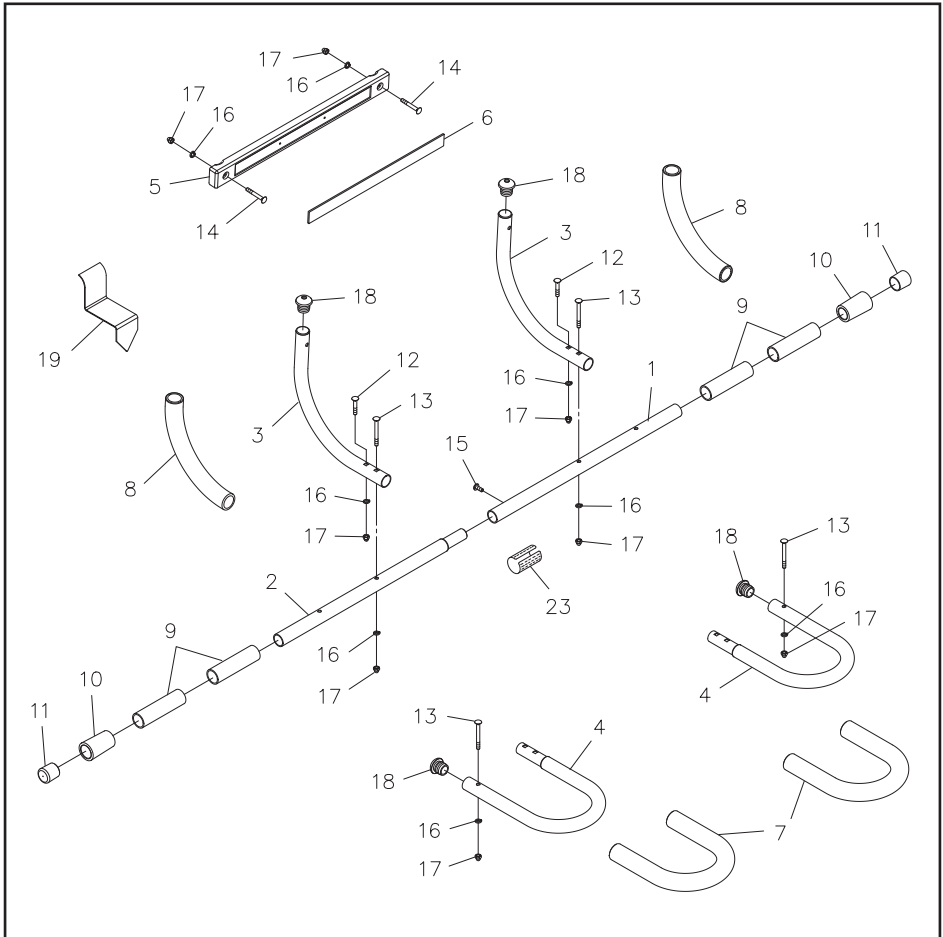
STEP 2: Insert the **INNER BAR(2)** into the **OUTER BAR(1)** and secure with **BUTTON HEAD BOLT(M6x1x15mm)(15)**.

STEP 3: Refer to the illustration below. Insert the **HANDLEBARS(4)** into the **ARCHED SUPPORTS(3)** and secure with **CARRIAGE BOLTS(M6x1x33mm)(12)**, **LOCK WASHERS(M6)(16)**, and **ACORN NUTS(M6x1)(17)**.

STEP 4: Bolt the **ARCHED SUPPORTS(3)**, **HANDLEBARS(4)**, **OUTER BAR(1)**, and **INNER BAR(2)** together with **CARRIAGE BOLTS(M6x1x58mm)(13)**, **LOCK WASHERS(M6)(16)**, and **ACORN NUTS(M6x1)(17)**. Tighten all bolts from STEP 1 to STEP 4.



Product Parts Drawing and Parts List



Part No. and Description	Qty	Part No. and Description	Qty
1 Outer Bar	1	13 Carriage Bolt (M6 x 1 x 58mm)	4
2 Inner Bar	1	14 Carriage Bolt (M6 x 1 x 45mm)	2
3 Arched Support	2	15 Bolt, Button Head (M6 x 1 x 15mm)	1
4 Handlebar	2	16 Lock Washer (M6)	8
5 Plastic Bar	1	17 Acorn Nut (M6 x 1)	8
6 EVA Pad	1	18 Round Plug (25.4mm)	4
7 Foam Tube	2	19 Safety Wedge	1
8 Foam Grip	2	20 Wrench	1
9 Hand Grip	4	21 Allen Wrench (5mm)	1
10 Foam Pad	2	22 Owner's Manual	1
11 Endcap (25.4mm)	2	23 Warning Label	1
12 Carriage Bolt (M6x1x33mm)	2		

Limited Warranty

MODEL 50-0050

Stamina Products, Inc. ("Stamina") warrants to the original purchaser that this product will be free from defects in materials and workmanship that arise under normal use, service, proper assembly and proper operation in accordance with product warnings/instructions for a period of 90 days on the parts and one year on the frame from the date of the original purchase from an authorized retailer. **THIS WARRANTY SHALL NOT APPLY TO ANY PRODUCT WHICH HAS BEEN SUBJECT TO COMMERCIAL USE, ABUSE, MISUSE, ALTERATION OF ANY KIND OR TO ANY DEFECT OR CHANGE CAUSED BY IMPROPER ASSEMBLY, REPAIR, REPLACEMENT, SUBSTITUTION OR USE WITH PARTS NOT PROVIDED BY STAMINA.** Commercial use includes use of product in athletic clubs, health clubs, spas, gyms, and all other public or semipublic facilities whether or not the product's use is in furtherance of a profit making enterprise, and all other use which is not for personal purposes.

To implement this limited warranty, send a written notice stating your name, date, and place of purchase and a brief description of the defect along with your receipt to Stamina Products, Inc. P.O. Box 1071, Springfield Missouri, USA, 65801-1071, or email us at customer.care@staminaproducts.com, or call us at 1-800-375-7520. If the defect is covered under this limited warranty, you will be requested to return the product or part to us for free repair or replacement at our option.

NO ACTION FOR BREACH OF THIS LIMITED WARRANTY MAY BE COMMENCED MORE THAN ONE (1) YEAR AFTER THE DATE THE ALLEGED BREACH WAS OR SHOULD HAVE BEEN DISCOVERED. NO ACTION FOR BREACH OF ANY IMPLIED WARRANTY (INCLUDING MERCHANTABILITY AND FITNESS FOR A PARTICULAR PURPOSE) MAY BE COMMENCED MORE THAN ONE (1) YEAR AFTER DELIVERY OF THE PRODUCT TO THE PURCHASER. These warranties are not transferable. **IF ANY PART OF THE PRODUCT IS NOT IN COMPLIANCE WITH THIS LIMITED WARRANTY OR ANY IMPLIED WARRANTY, THE REMEDY OF REPAIR OR REPLACEMENT IS THE EXCLUSIVE REMEDY.** If any claim is made under this limited warranty or any implied warranty, Stamina reserves the right to require the product to be returned for inspection, at the purchaser's expense, to Stamina's premises in Springfield, Missouri. Return of the enclosed warranty registration card is not required for warranty coverage, but is merely a way of establishing the date and place of purchase.

Stamina SHALL NOT BE LIABLE FOR THE LOSS OF USE OF ANY PRODUCT, LOSS OF TIME, INCONVENIENCE, COMMERCIAL LOSS OR ANY OTHER INDIRECT, CONSEQUENTIAL, SPECIAL OR INCIDENTAL DAMAGES DUE TO BREACH OF THE ABOVE WARRANTY OR ANY IMPLIED WARRANTY.

THIS LIMITED WARRANTY IS THE ONLY EXPRESS WARRANTY. NO ORAL OR WRITTEN INFORMATION GIVEN BY STAMINA, ITS AGENTS OR EMPLOYEES, SHALL CREATE A WARRANTY OR IN ANY WAY INCREASE THE SCOPE OF THIS WARRANTY. This warranty gives you specific legal rights, and you may also have other legal rights which vary from state to state. **ANY OTHER RIGHT WHICH YOU MAY HAVE, INCLUDING ANY IMPLIED WARRANTY OF MERCHANTABILITY OR FITNESS FOR A PARTICULAR PURPOSE, IS LIMITED IN DURATION TO THE DURATION OF THIS WARRANTY.**

The laws in some states affect the disclaimer or limitation of implied warranties and consequential and incidental damages. If any such law is found applicable, the foregoing disclaimers and limitations of and on implied warranties and consequential and incidental damages shall be deemed to be modified to the extent necessary to comply with applicable law.